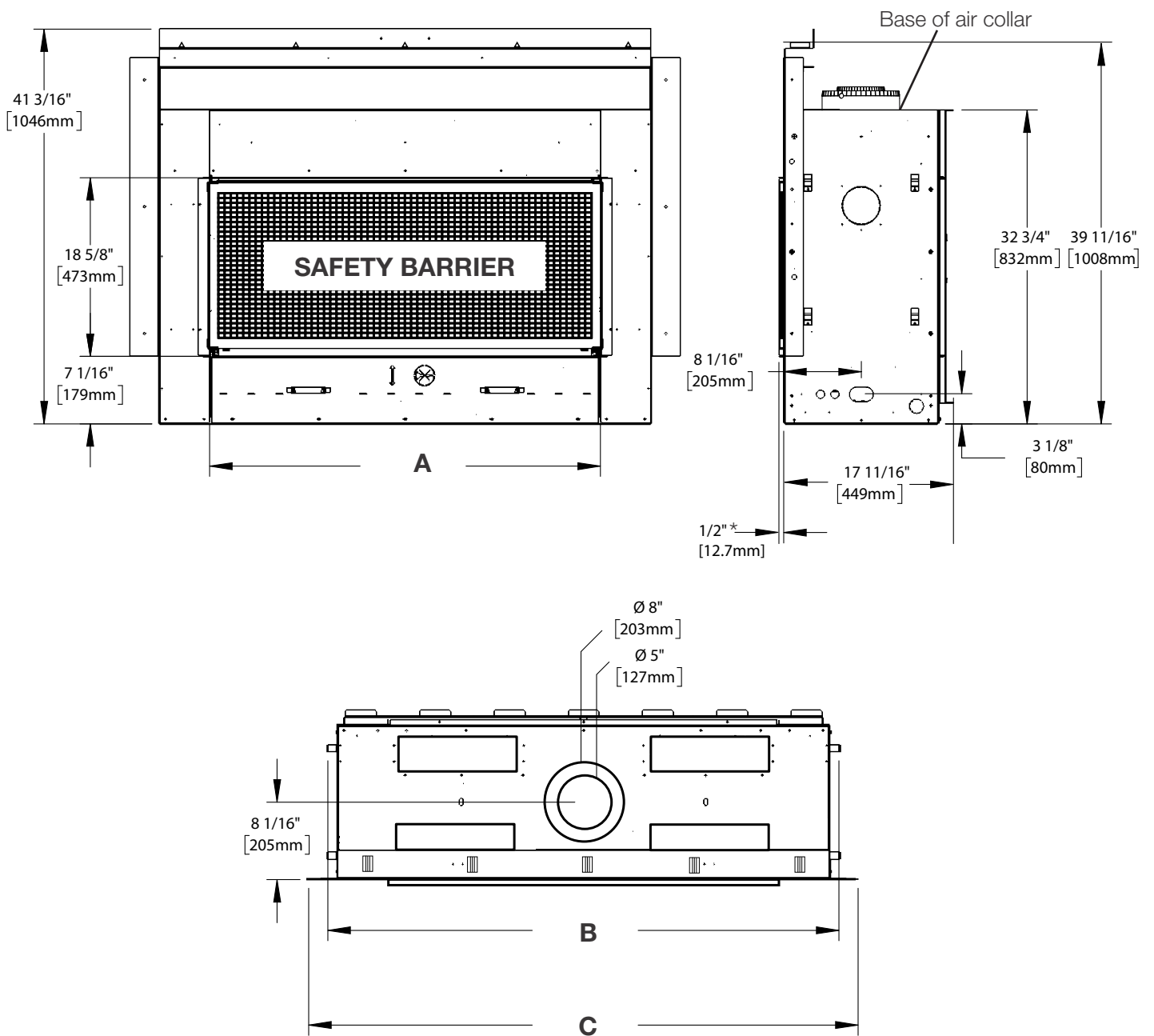


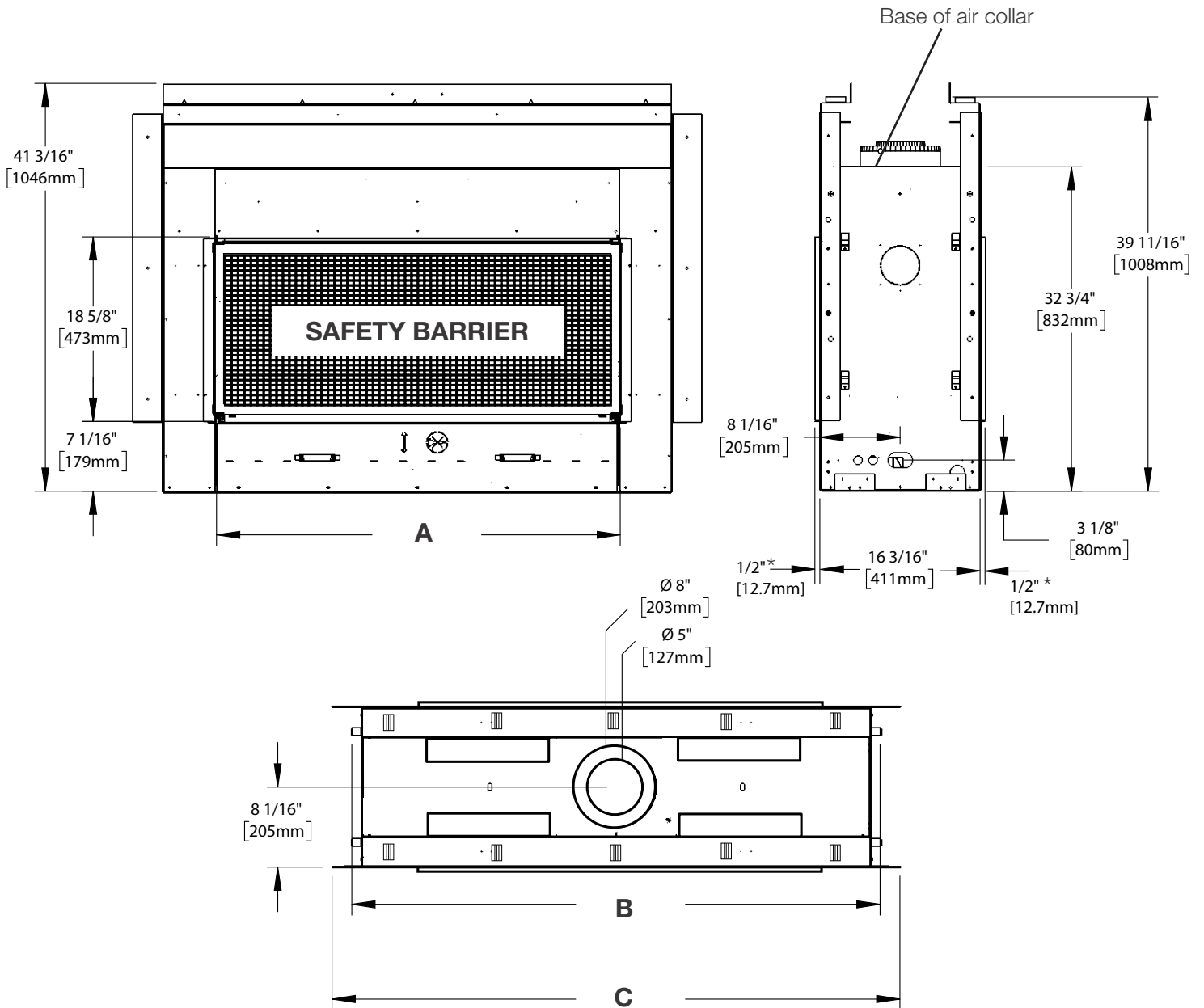
2.1 single-sided



	L38	L50
A (Finishing Flange)	40 3/4" (1035mm)	52 3/4" (1340mm)
B	53 5/16" (1354mm)	65 5/16" (1659mm)
C	57 5/16" (1456mm)	69 5/16" (1761mm)

*Finishing flange depth. (The finishing flange defines the perimeter of the fireplace opening. Framing or finishing materials must NEVER encroach inside the finishing flange.)

2.2 see-thru



	L38	L50
A (Finishing Flange)	40 3/4" (1035mm)	52 3/4" (1340mm)
B	53 5/16" (1354mm)	65 5/16" (1659mm)
C	57 5/16" (1456mm)	69 5/16" (1761mm)

*Finishing flange depth. (The finishing flange defines the perimeter of the fireplace opening. Framing or finishing materials must NEVER encroach inside the finishing flange.)