

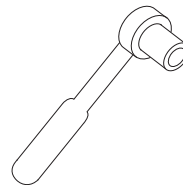
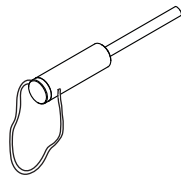
# NZ7000/NZ8000 BRICK INSTALLATION INSTRUCTIONS

## ! WARNING !

**DO NOT TOUCH SAFETY SCREEN UNTIL COOLED.  
ALLOW SAFETY SCREEN TO COOL COMPLETELY BEFORE ANY MAINTENANCE, AS IT WILL REMAIN HOT  
AFTER APPLIANCE IS NO LONGER OPERATING.  
ENSURE THE UNIT IS COMPLETELY COOL BEFORE STARTING INSTALLATION.**

**TO AVOID DANGER OF SUFFOCATION KEEP THE PACKAGING BAG AWAY FROM BABIES AND  
CHILDREN. DO NOT USE IN CRIBS, BED, CARRIAGES OR PLAY PENS. THIS BAG IS NOT A TOY.  
KNOT BEFORE THROWING AWAY.**

YOU WILL NEED:



5/16" SOCKET FOR TOP BRACKET

7/16" SOCKET FOR BOTTOM LOG  
RETAINERS

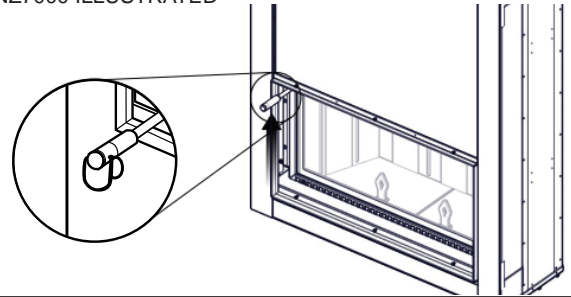
1

**INSTALLER:** LEAVE THIS MANUAL WITH THE APPLIANCE.  
**CONSUMER:** RETAIN THIS MANUAL FOR FUTURE REFERENCE.

**CAUTION:** A SAFETY SCREEN DESIGNED TO REDUCE THE RISK  
OF BURNS FROM THE HOT VIEWING GLASS IS PROVIDED WITH  
THE APPLIANCE. THIS SAFETY SCREEN IS NOT DESIGNED FOR  
PROLONGED CONTACT.

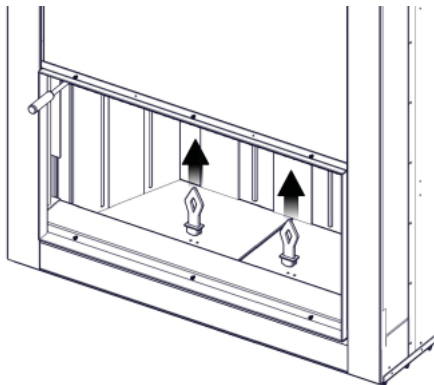
2

NZ7000 ILLUSTRATED

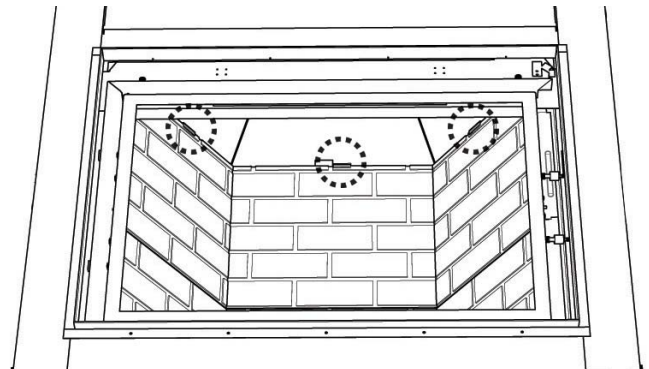


INSERT HANDLE INTO SCREEN AND GLASS DOOR RECEIVER TO RAISE.

3

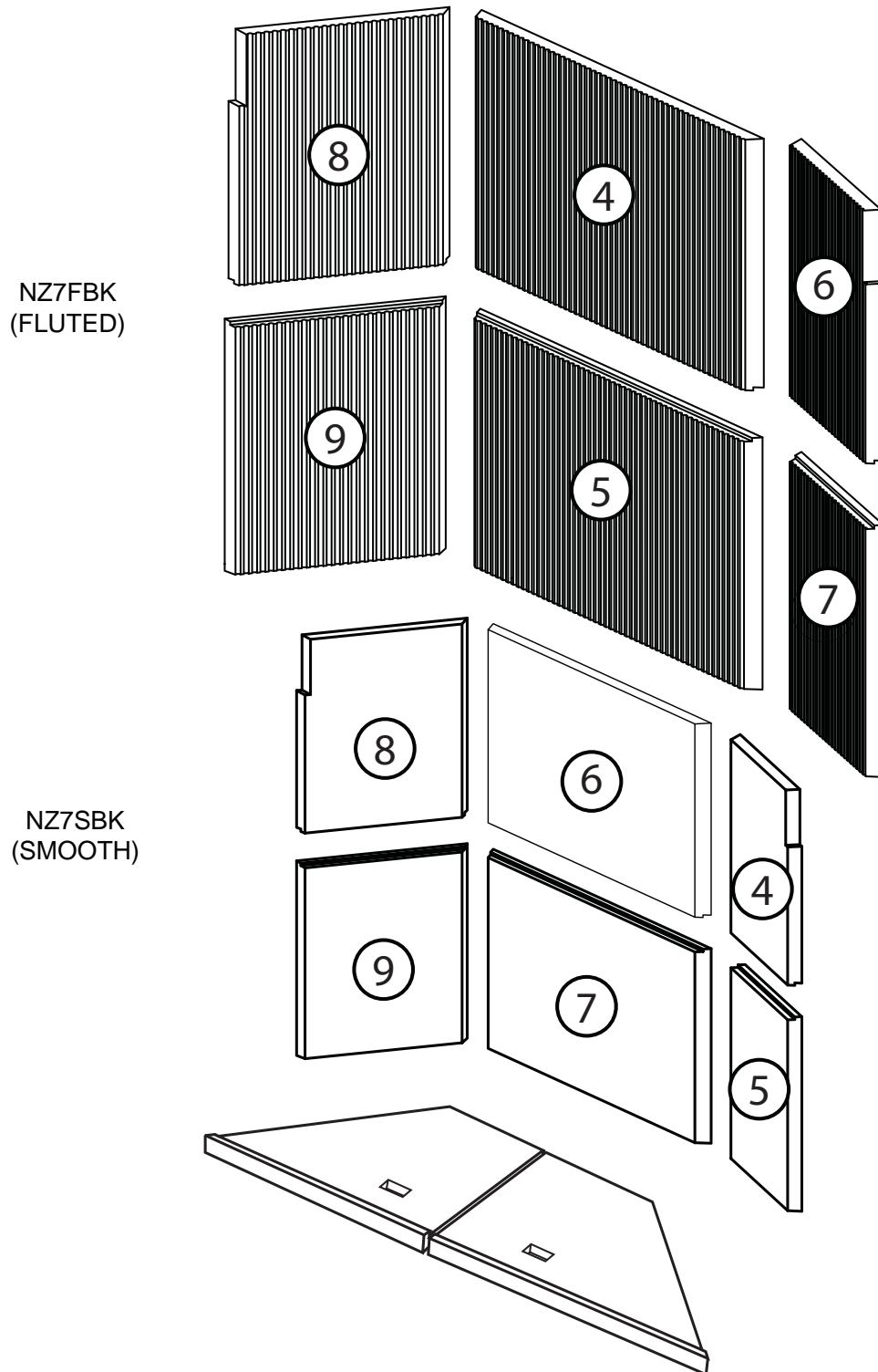


REMOVE / KEEP LOG RETAINERS AND SECURING SCREWS.



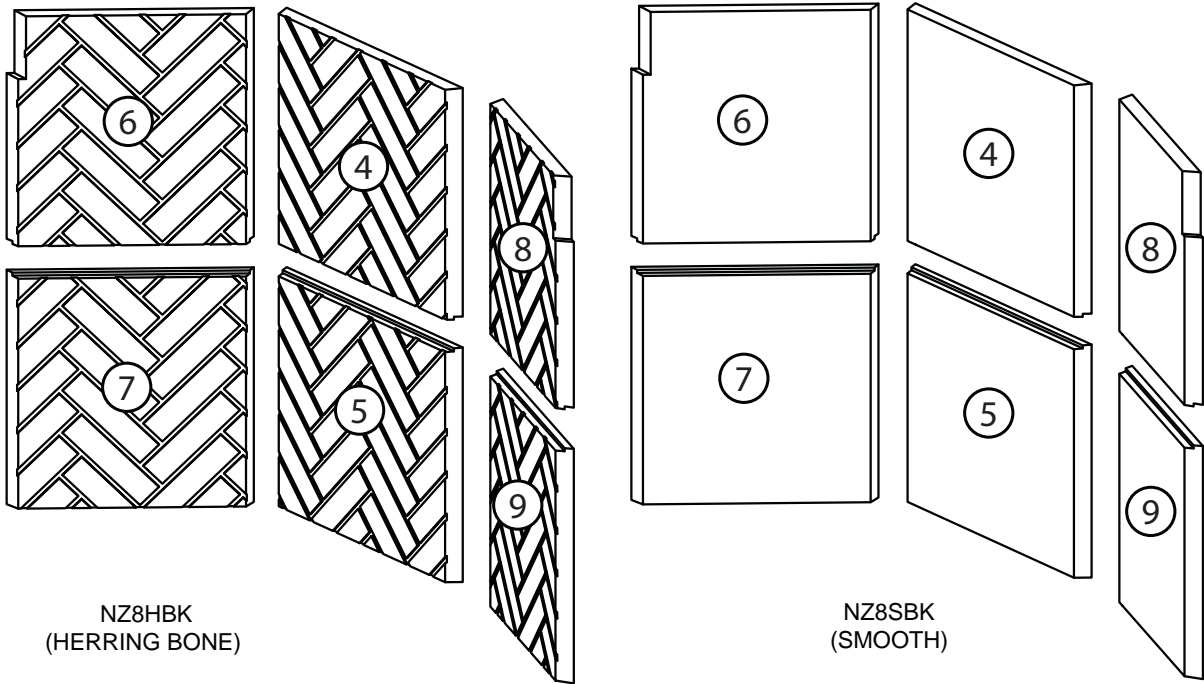
**PLEASE NOTE:** BRICK RETAINERS ARE TO BE ADDED AFTER  
INSTALLATION OF BRICK PANELS.

## NZ7000 BRICK PANEL OVERVIEW



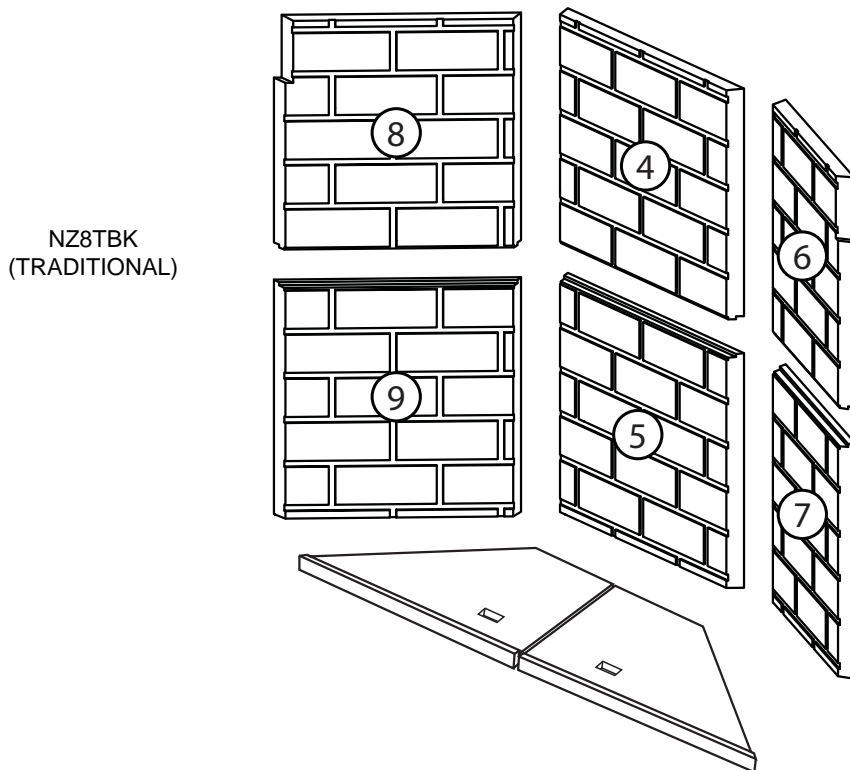
**PROPER INSTALLATION OF SIDE PANELS:** SIDE PANELS WILL HAVE TWO DISTINCT ANGLES ON EITHER SIDE OF EACH PANEL. THE SHALLOW ANGLE SHOULD FACE THE OUTSIDE OF THE FIREPLACE. THE STEEPER ANGLE SHOULD FACE TO THE INSIDE OF THE FIREPLACE AND WILL MATCH TO THE BACK PANEL.

## NZ8000 BRICK PANEL OVERVIEW



NZ8HBK  
(HERRING BONE)

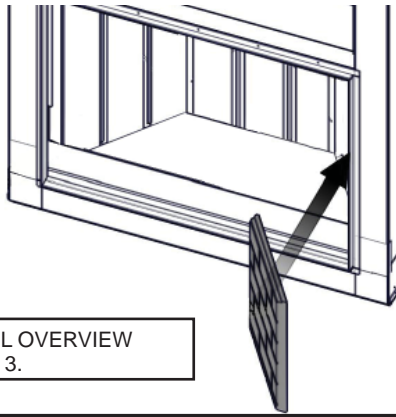
NZ8SBK  
(SMOOTH)



NZ8TBK  
(TRADITIONAL)

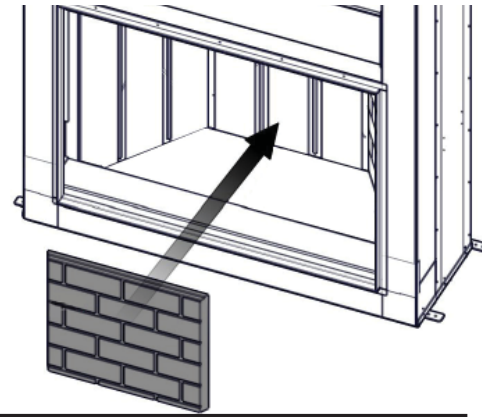
**PROPER INSTALLATION OF SIDE PANELS:** SIDE PANELS WILL HAVE TWO DISTINCT ANGLES ON EITHER SIDE OF EACH PANEL. THE SHALLOW ANGLE SHOULD FACE THE OUTSIDE OF THE FIREPLACE. THE STEEPER ANGLE SHOULD FACE TO THE INSIDE OF THE FIREPLACE AND WILL MATCH TO THE BACK PANEL.

4

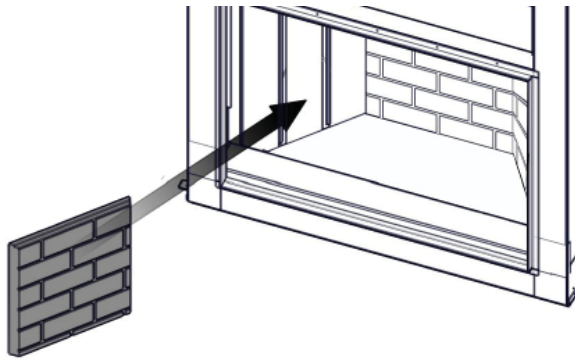


REFER TO 'BRICK PANEL OVERVIEW ON PAGE 2 & 3.

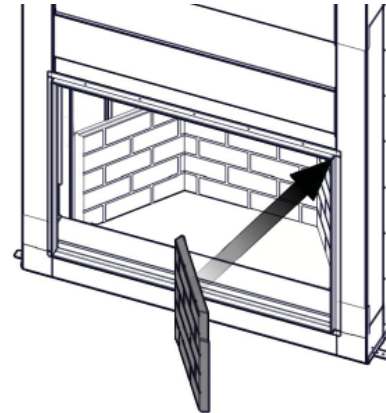
5



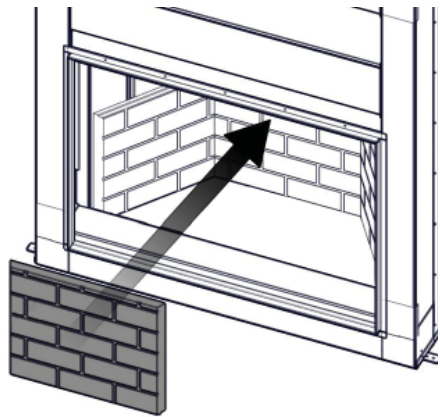
6



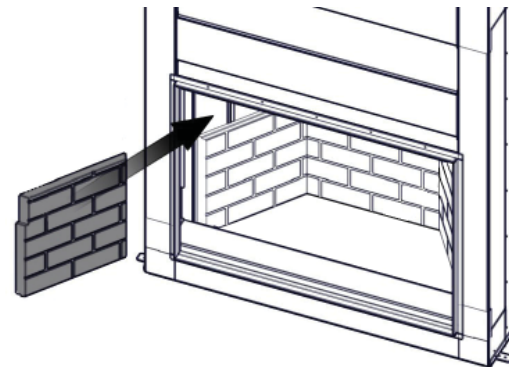
7



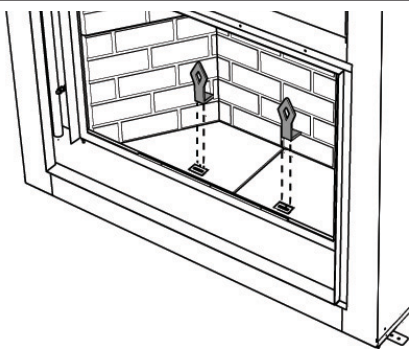
8



9

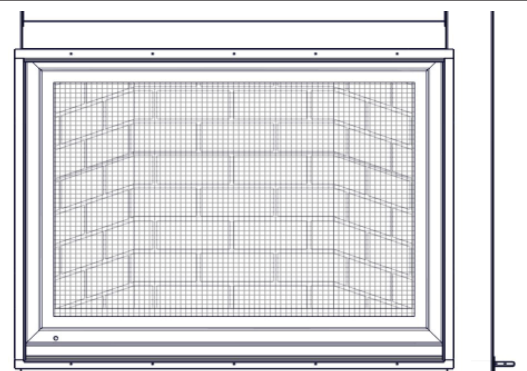


10



INSTALL BOTTOM BRICK THEN RE-INSTALL LOG RETAINERS. INSTALL TOP BRICK PANEL RETAINERS.

END/  
FIN



ENSURE TO CLOSE THE GLASS DOOR AND SCREEN.

**NOTE:** CLEANING THE SAFETY SCREEN MAY BE NECESSARY DUE TO EXCESSIVE LINT / DUST FROM CARPETING, PETS, ETC. SIMPLY VACUUM USING THE BRUSH ATTACHMENT.

**NOTE:** FOR MORE DETAILED INSTRUCTIONS REFER TO YOUR INSTALLATION MANUAL.