

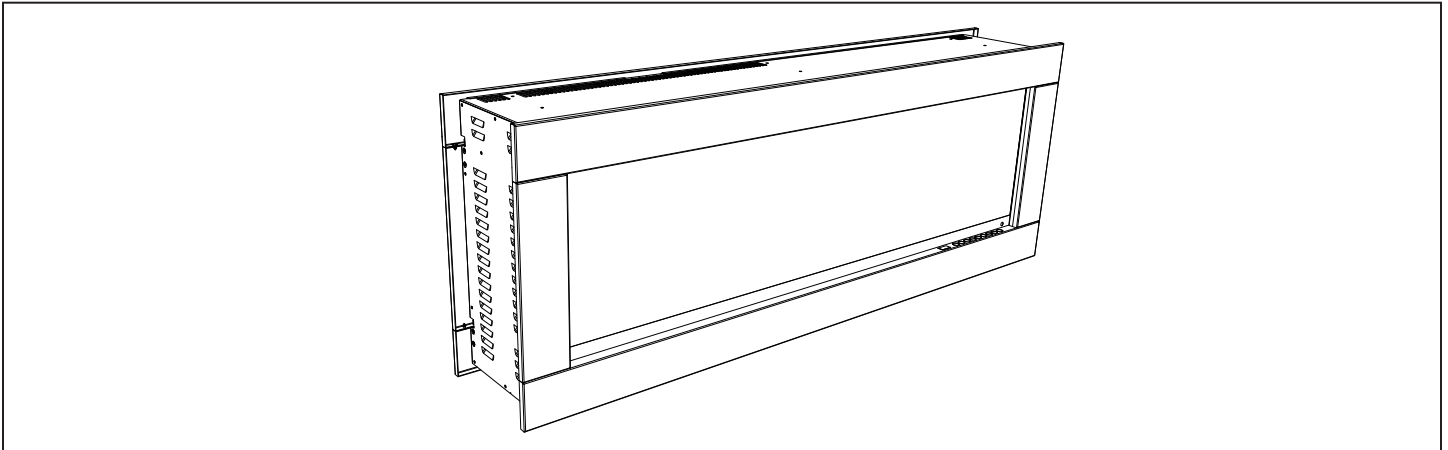
CLEARION™ SERIES ELECTRIC APPLIANCE



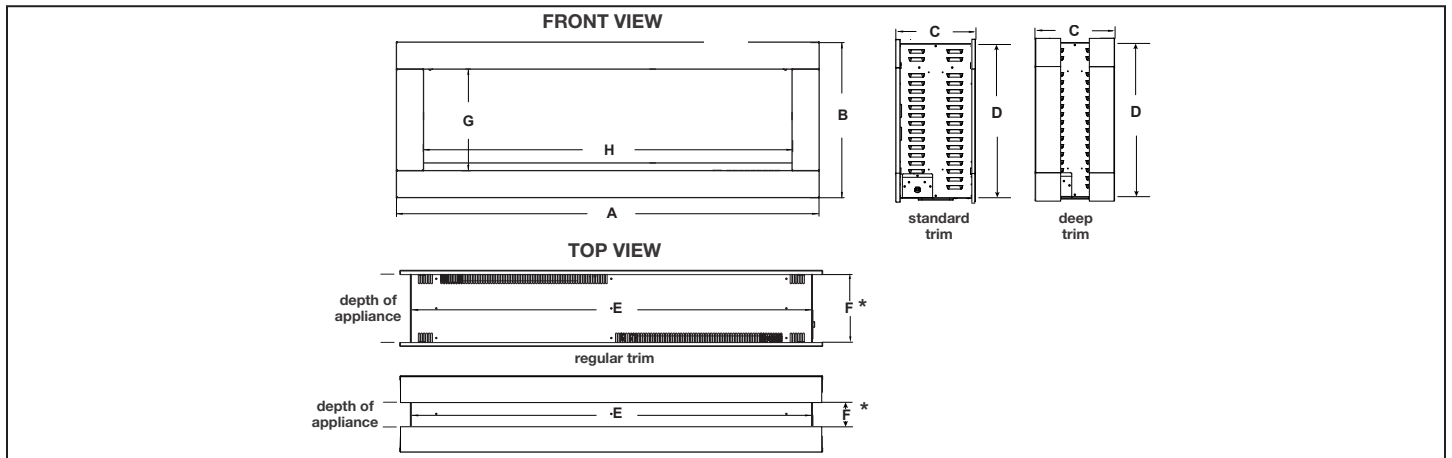
Specifications

Model	BTU	Width		Height		Depth		Viewing Area
		Actual	Framing	Actual	Framing	Actual	Framing	
NEFBD50H (120V/240V)	5000/9000	50	49	17 11/16	17 15/16	9	8	12 X 43 5/8
NEFBD50H-SS (120V/240V)	5000/9000	50	49	17 11/16	17 15/16	9	8	12 X 43 5/8
NEFBD50H-DT (120V/240V)	5000/9000	50	49	17 11/16	17 15/16	9	4 1/2	12 X 43 5/8
NEFBD50H-SS-DT (120V/240V)	5000/9000	50	49	17 11/16	17 15/16	9	4 1/2	12 X 43 5/8

Overview



Dimensions



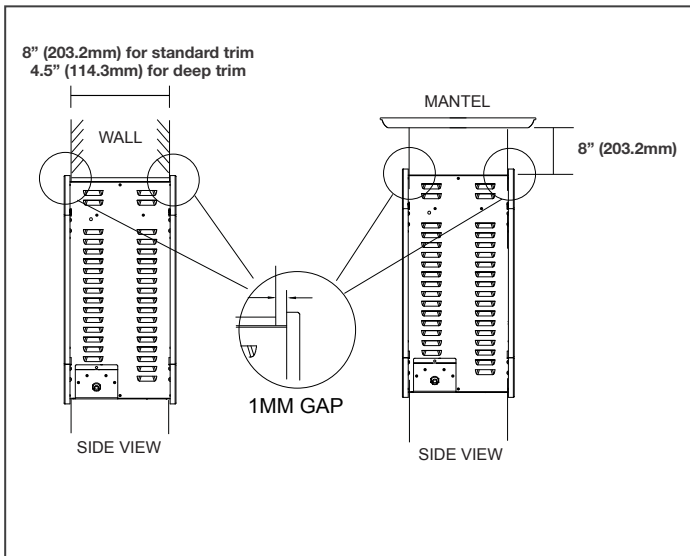
* F is the distance between trim edges. The deep trim reduces this dimension. See table below.

	Dimensions							
	A	B	C	D	E	F	G	H
NEFBD50H	50" (1270mm)	18 3/8" (467.2mm)	9" (228.6mm)	17 11/16" (450mm)	47 9/16" (1207.8mm)	8 1/16" (205.2mm)	12" (304.8mm)	43 5/8" (1107.6mm)
NEFBD50H-SS	50" (1270mm)	18 3/8" (467.2mm)	9" (228.6mm)	17 11/16" (450mm)	47 9/16" (1207.8mm)	8 1/16" (205.2mm)	12" (304.8mm)	43 5/8" (1107.6mm)
NEFBD50H-DT	50" (1270mm)	18 3/8" (467.2mm)	9" (228.6mm)	17 11/16" (450mm)	47 9/16" (1207.8mm)	4 9/16" (116.3mm)	12" (304.8mm)	43 5/8" (1107.6mm)
NEFBD50H-SS-DT	50" (1270mm)	18 3/8" (467.2mm)	9" (228.6mm)	17 11/16" (450mm)	47 9/16" (1207.8mm)	4 9/16" (116.3mm)	12" (304.8mm)	43 5/8" (1107.6mm)

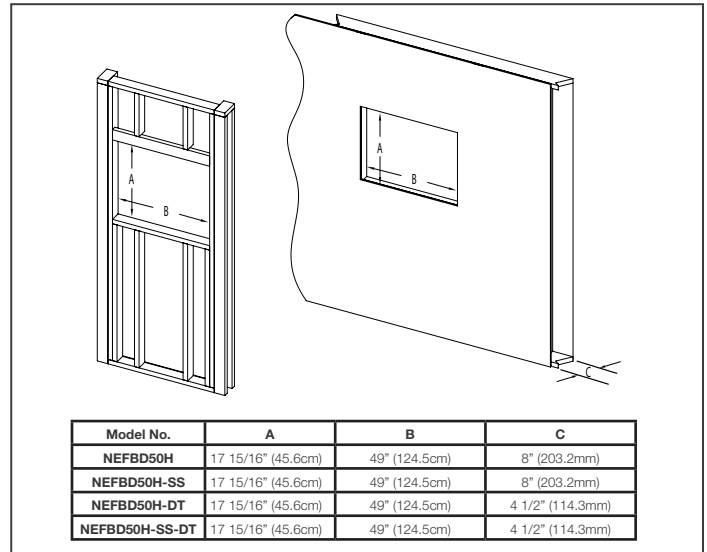
Product information provided is not complete and is subject to change without notice. Please consult the installation manual for the most up to date installation information.

Clearances

Minimum Mantel Clearances

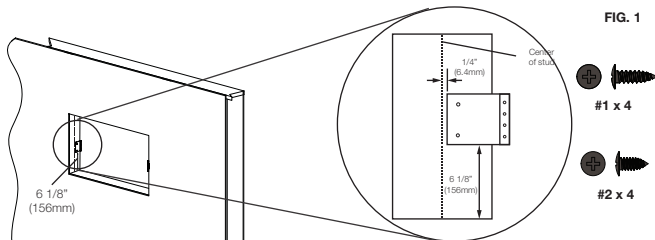


Framing

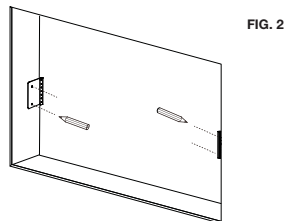


Appliance Installation

- Frame the appliance along with the electrical connections.
- Remove the front trims on both front side and back side (see "front trim installation / removal" section in your installation manual).
- Remove the front glasses on both front side and back side (see "front glass installation / removal" section in your installation manual).
- To determine the installation location of the mounting bracket, ensure to line up the edge of the mounting bracket 1/4" (6.4mm) from the center of the wall sides and 6 1/8" (156mm) from the bottom of the wall sides (FIG. 1). Use the mounting bracket installation templates in your installation manual.

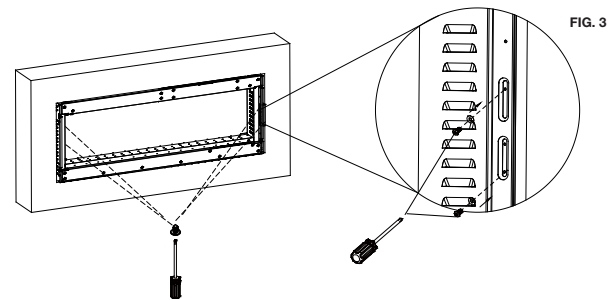


- Mark the holes for the mounting bracket. Ensure the marked holes are on opposite sides, as the brackets cannot be mounted on the same side (FIG. 2).



- Drill marked holes.
- Secure the mounting brackets onto the drilled holes with supplied fasteners (#1 x 4).

- Insert the appliance to the frame and secure the appliance to the holes on the bracket using supplied fasteners (#2 x 4) and the slots from the appliance (FIG. 3).



- Install media (see "media installation" section in your installation manual).
- Reinstall front trim and glass (see "front trim installation / removal" and "front glass installation / removal" sections in your installation manual).

note:

It is recommended to have the walls of the appliance enclosure be finished (i.e. drywall) to avoid exposed insulation or vapour barrier coming in contact with the appliance. This will ensure clearance to combustibles is maintained.

Wall anchors are not required when screwing into the wall stud.

It is recommended to use a magnetic screwdriver bit during installation to prevent the screws from falling into the appliance.