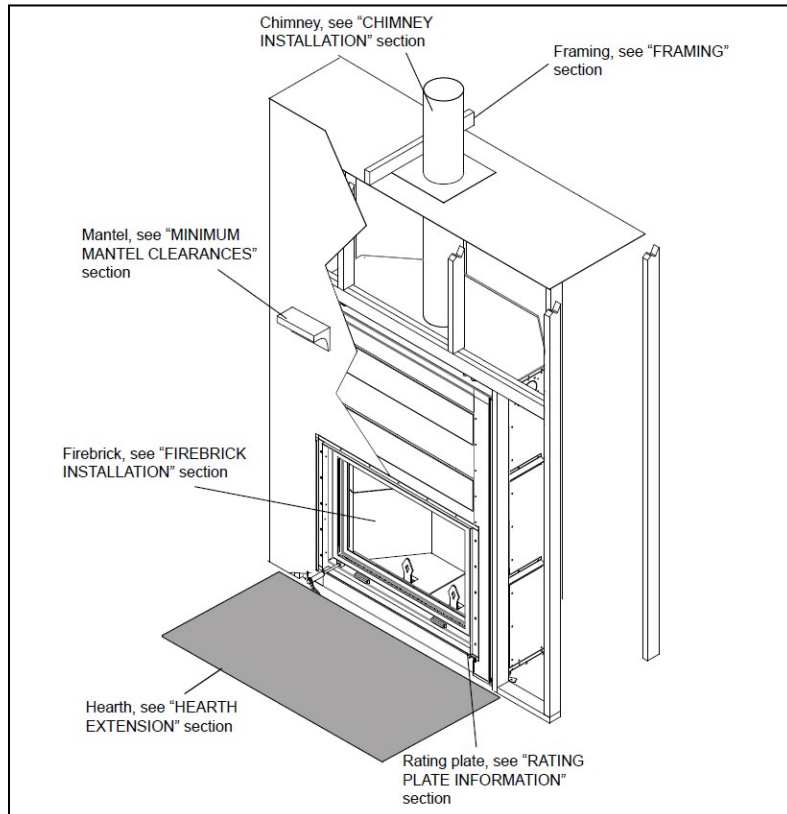


HIGH COUNTRY™ 8000 WOOD FIREPLACE

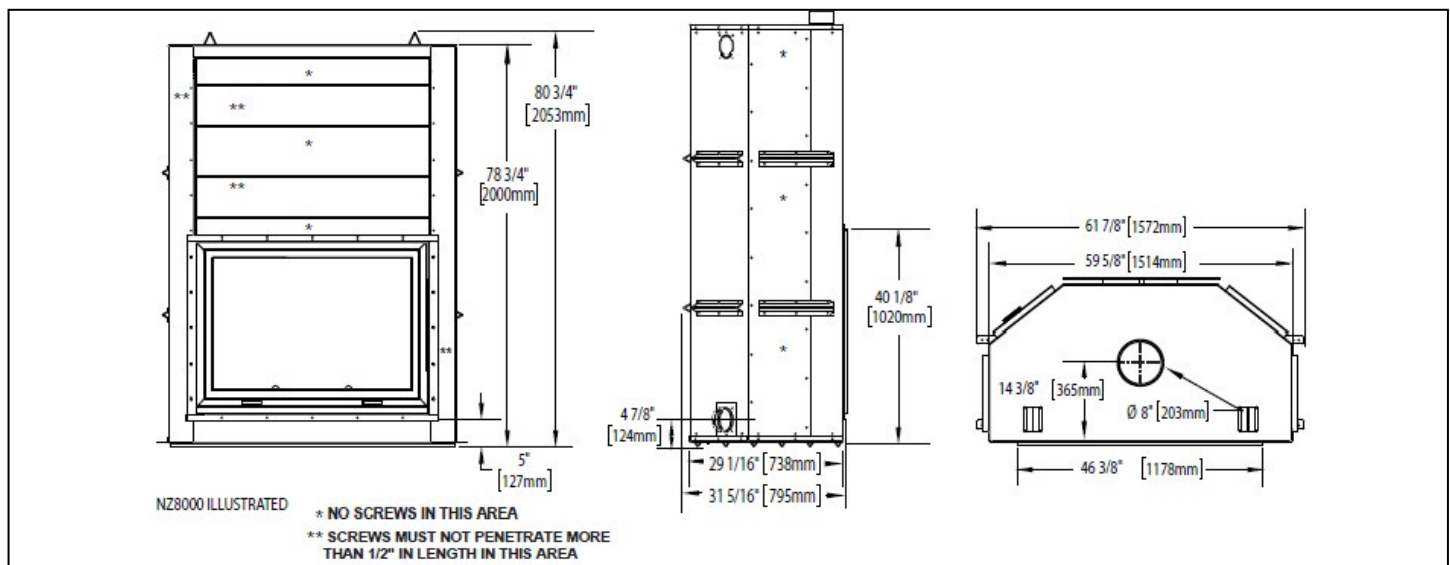
Specifications

| Model | BTU | Width | | Height | | Depth | | Glass |
|--------|-----|--------|---------|--------|---------|---------|---------|-----------------|
| | | Actual | Framing | Actual | Framing | Actual | Framing | |
| NZ8000 | N/A | 59 5/8 | 60 1/8 | 80 3/4 | 81 1/4 | 29 1/16 | 29 5/8 | 28 5/8 x 40 7/8 |

Overview



Dimensions



HIGH COUNTRY™ 8000 WOOD FIREPLACE

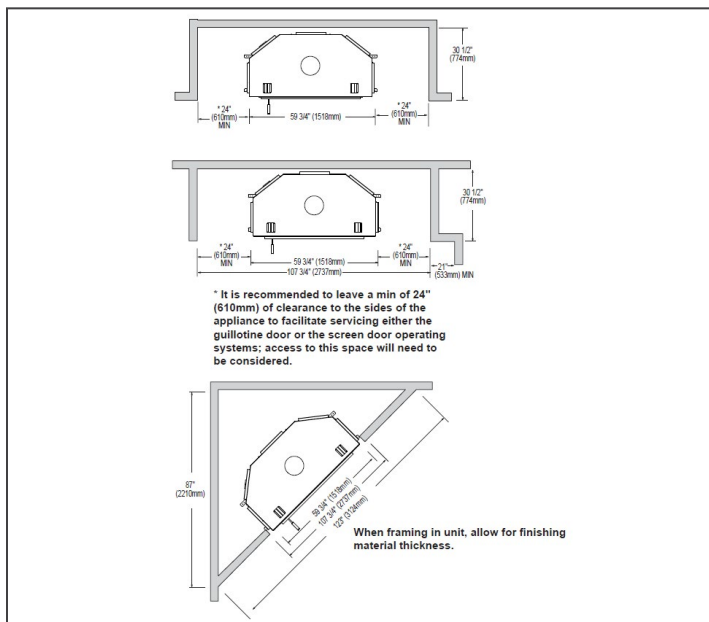
Framing & Clearances

Minimum Fireplace Clearances

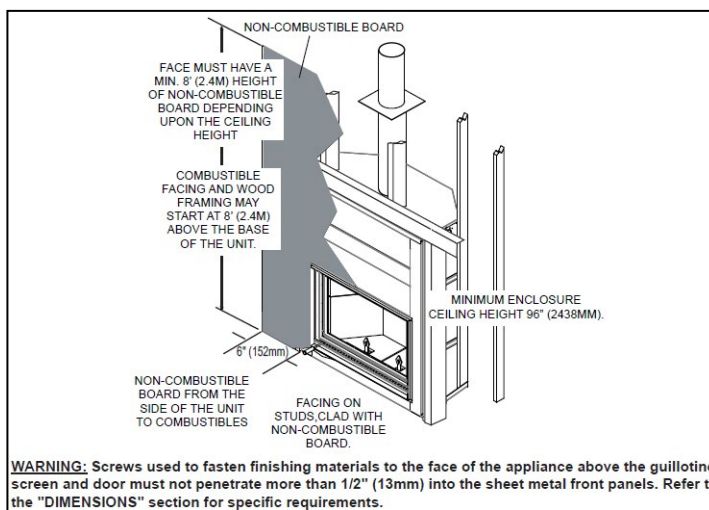
Framed Enclosure

| | |
|----------------------------------|---|
| Rear, Sides, Ceiling (enclosure) | - 0" (0mm) to stand-offs (rear) |
| Ceiling (in front of appliance) | - 96" (2438mm) from the base of the appliance |
| Chimney | - 2" (51mm) (follow manufacturers instructions) |

Appliance Location

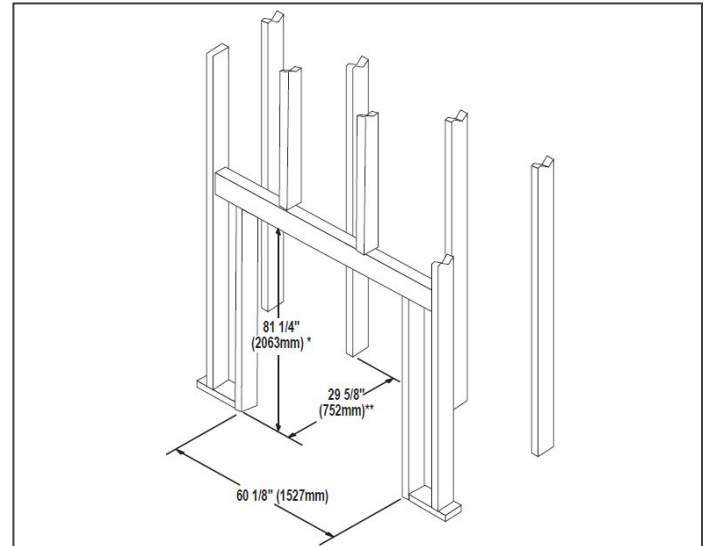


Finishing Material

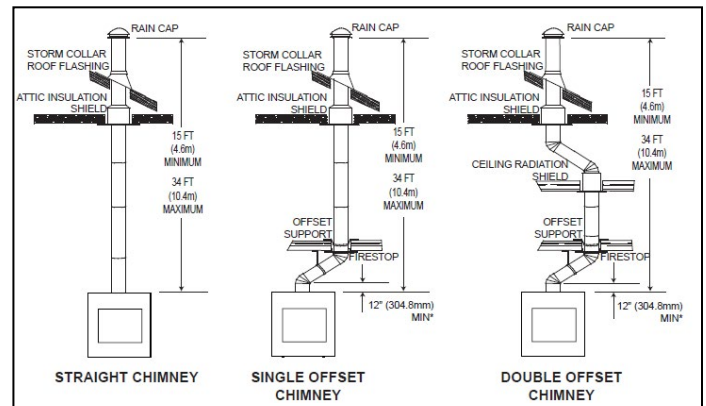


Product information provided is not complete and is subject to change without notice. Please consult the installation manual for the most up to date installation information.

Framing Dimensions



Typical Chimney Installation



Combustible Mantel Clearances

