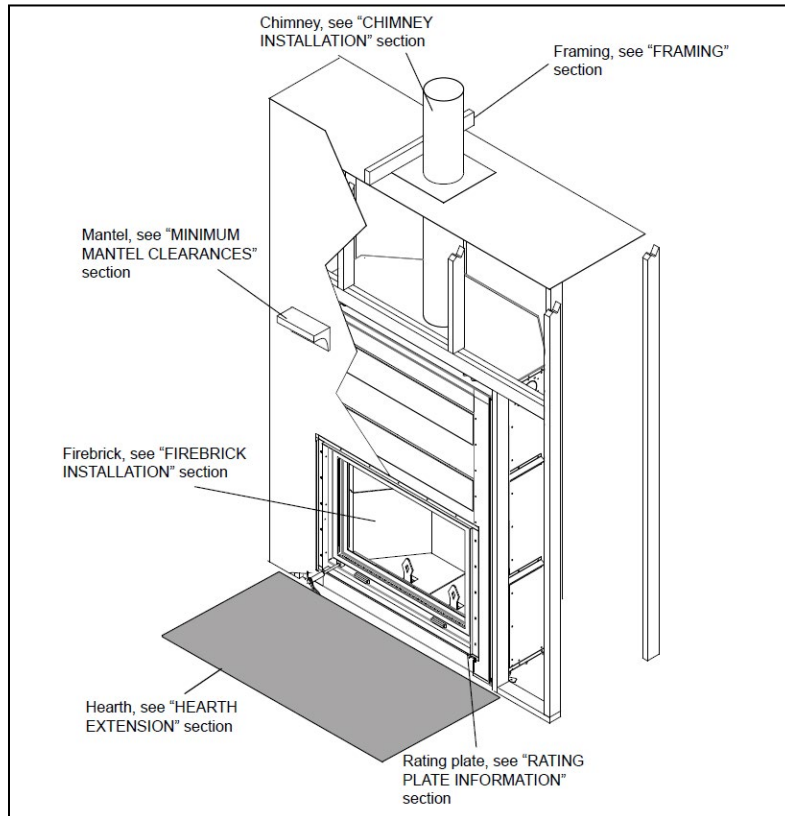


HIGH COUNTRY™ 7000 LINEAR WOOD FIREPLACE

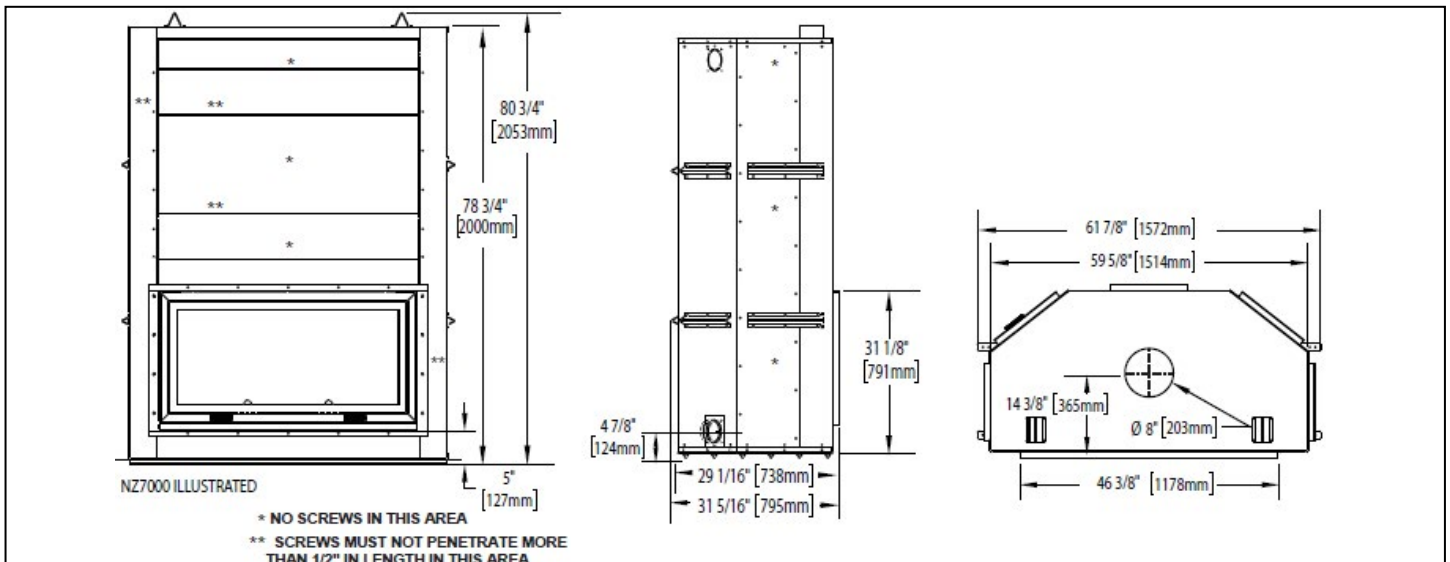
Specifications

Model	BTU	Width		Height		Depth		Glass
		Actual	Framing	Actual	Framing	Actual	Framing	
NZ7000	N/A	59 5/8	60 1/8	80 3/4	81 1/4	29 1/16	29 5/8	19 1/4 x 40 7/8

Overview



Dimensions



HIGH COUNTRY™ 7000 LINEAR WOOD FIREPLACE

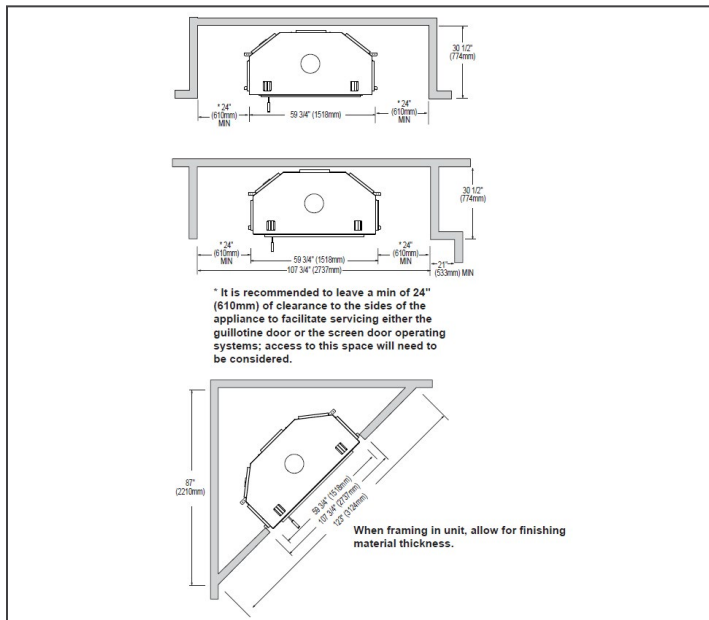
Framing & Clearances

Minimum Fireplace Clearances

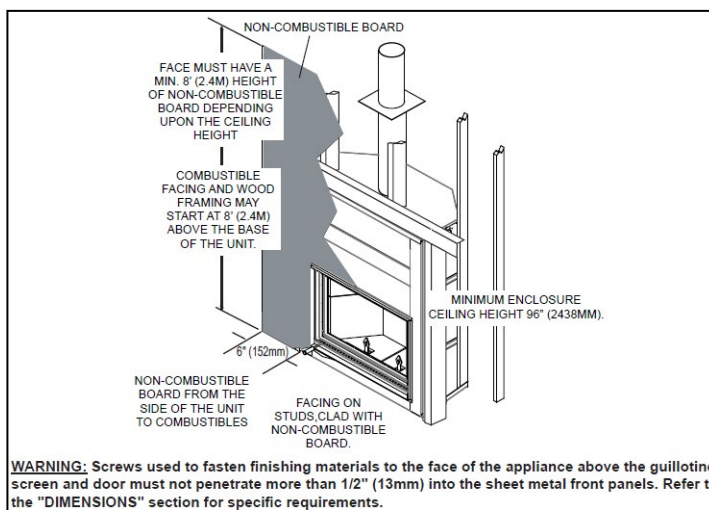
Framed Enclosure

Rear, Sides, Ceiling (enclosure)	- 0" (0mm) to stand-offs (rear)
Ceiling (in front of appliance)	- 96" (2438mm) from the base of the appliance
Chimney	- 2" (51mm) (follow manufacturers instructions)

Appliance Location

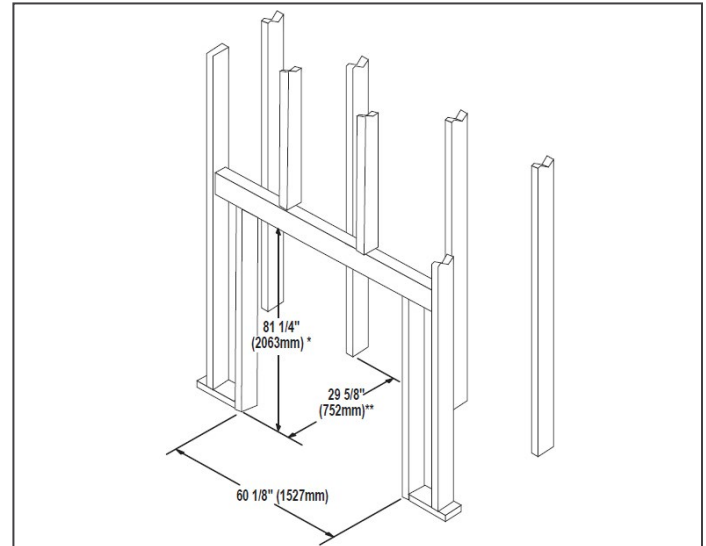


Finishing Material

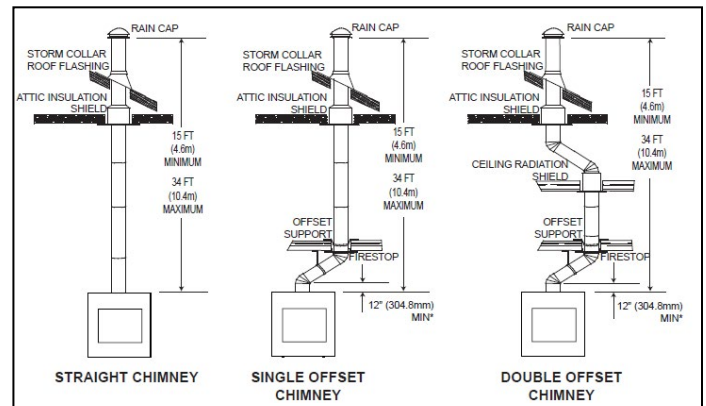


Product information provided is not complete and is subject to change without notice. Please consult the installation manual for the most up to date installation information.

Framing Dimensions



Typical Chimney Installation



Combustible Mantel Clearances

