

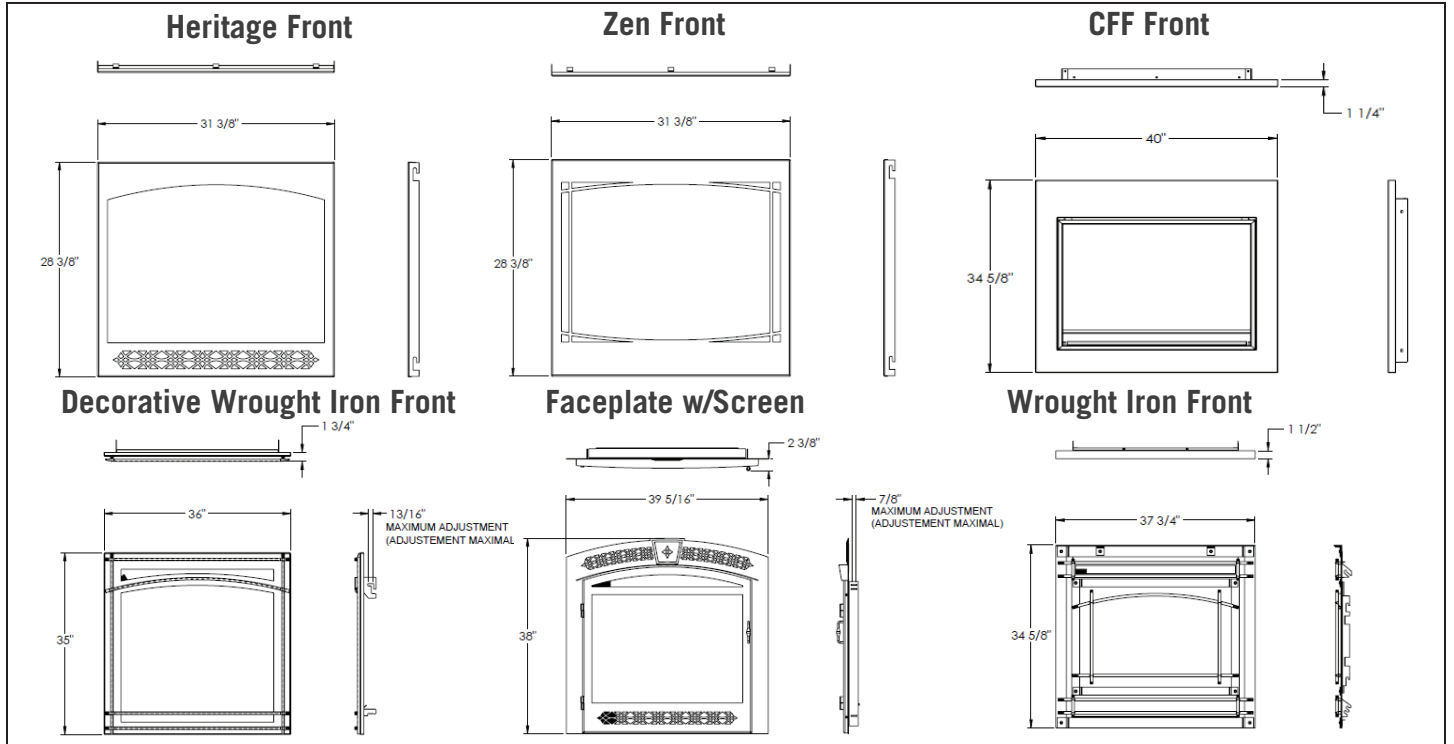
# ASCENT™ X 70 DIRECT VENT GAS FIREPLACE



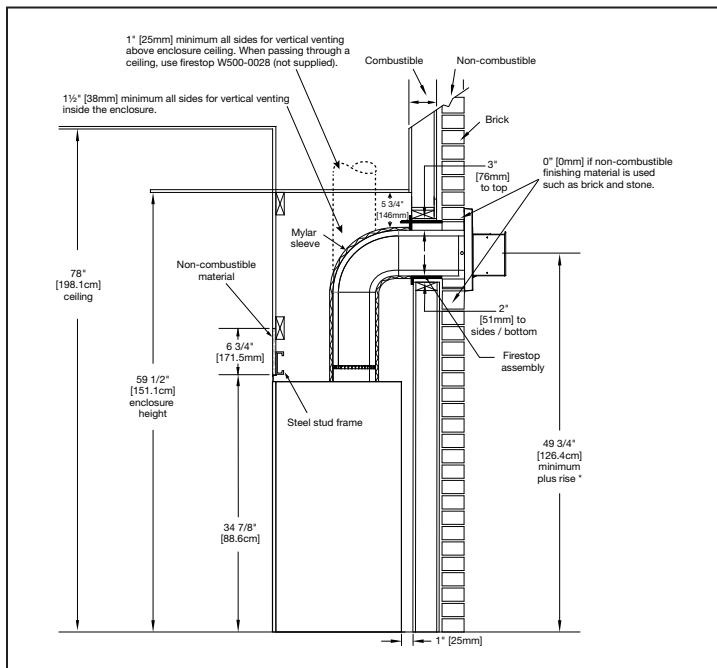
## Specifications

Model	BTU	Width		Height		Depth		Viewing Area
		Actual	Framing	Actual	Framing	Actual	Framing	
GX70-1	35,000	35	35 1/2	34 5/8	34 7/8	18 1/2	19	23 11/16 x 30 11/16

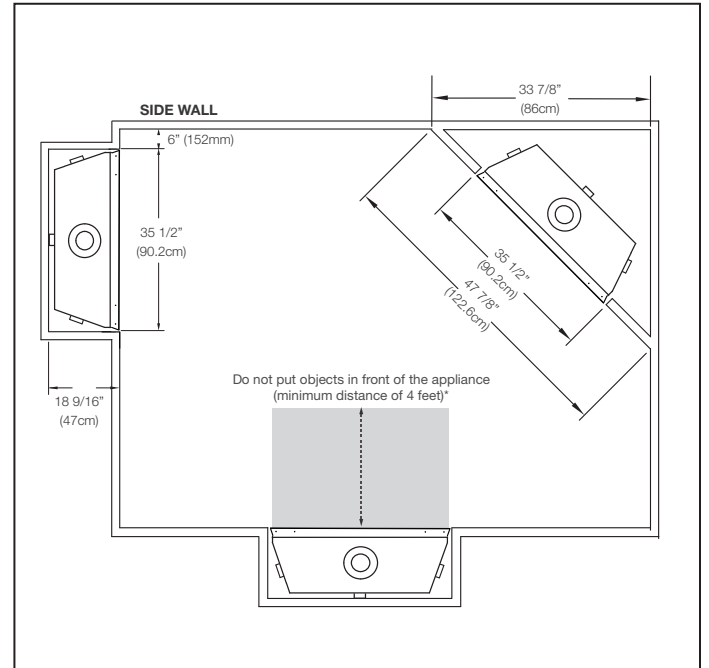
## Front Options



## Minimum Clearance to Combustible Enclosures



## Appliance Location

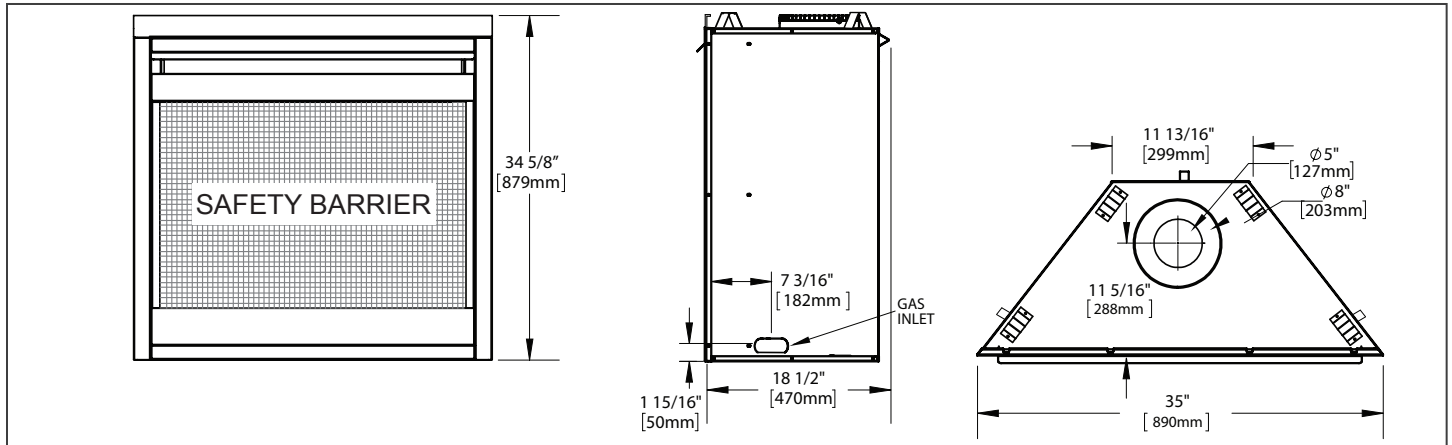


# ASCENT™ X 70 DIRECT VENT GAS FIREPLACE

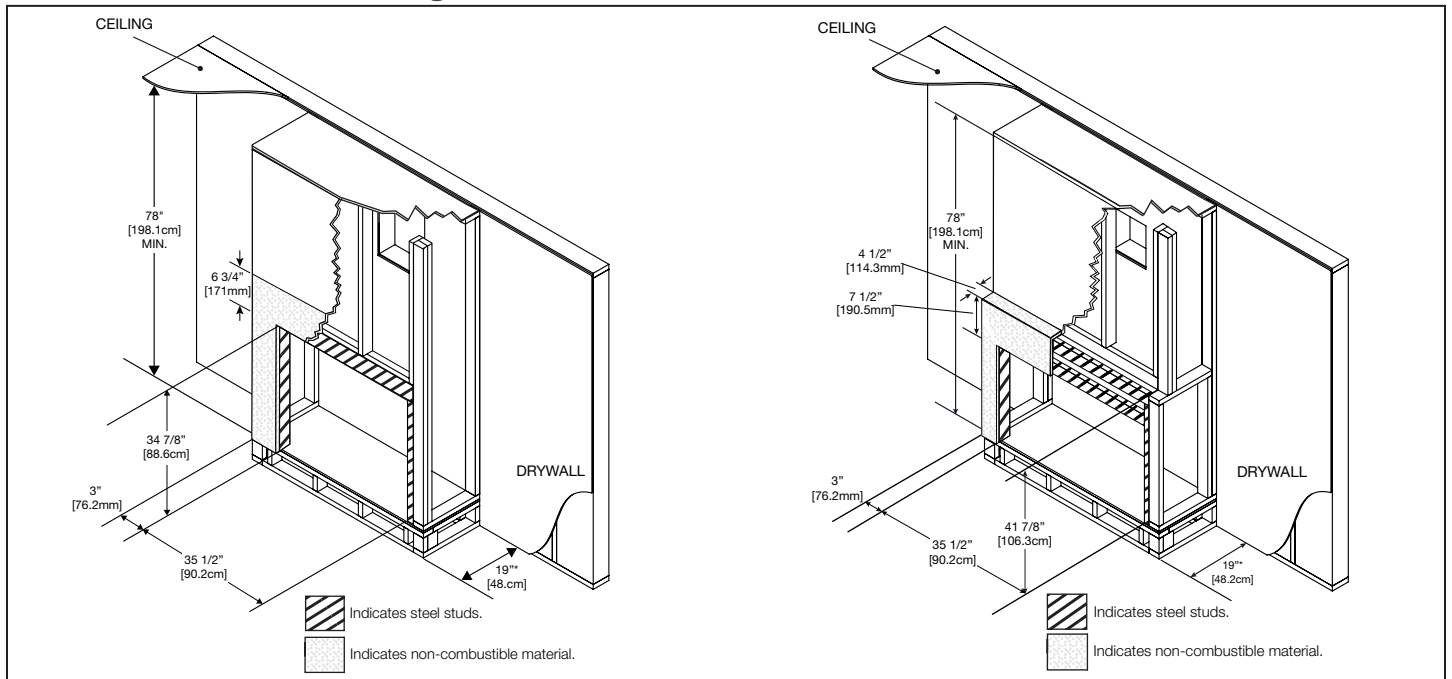


Product information provided is not complete and is subject to change without notice. Please consult the installation manual for the most up to date installation information.

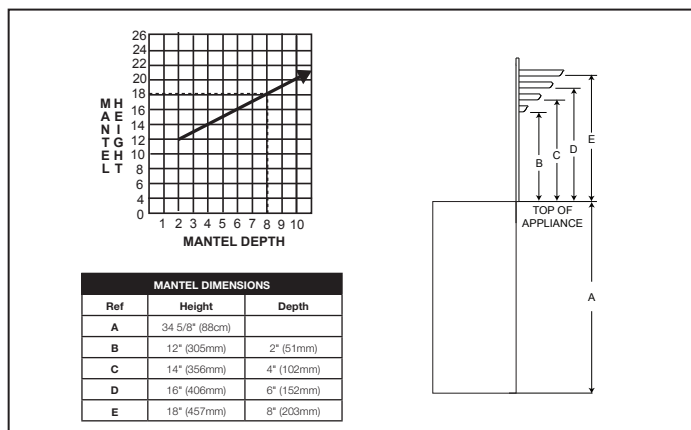
## Dimensions



## Flush & Recessed Finish Framing



## Combustible Mantel Clearances



## Rough Framing

