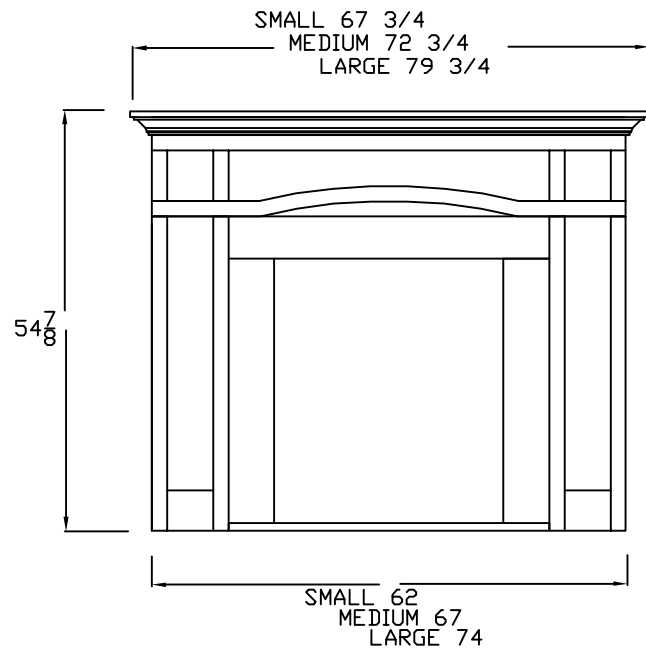
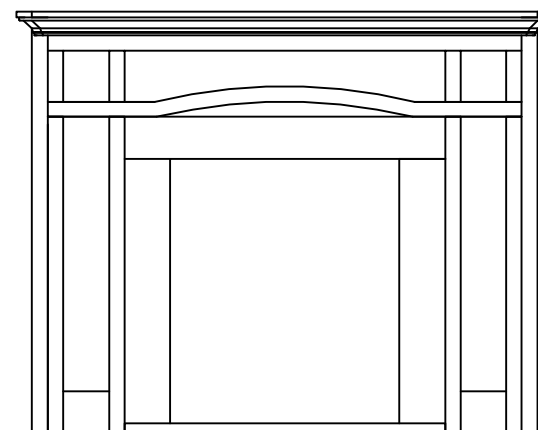
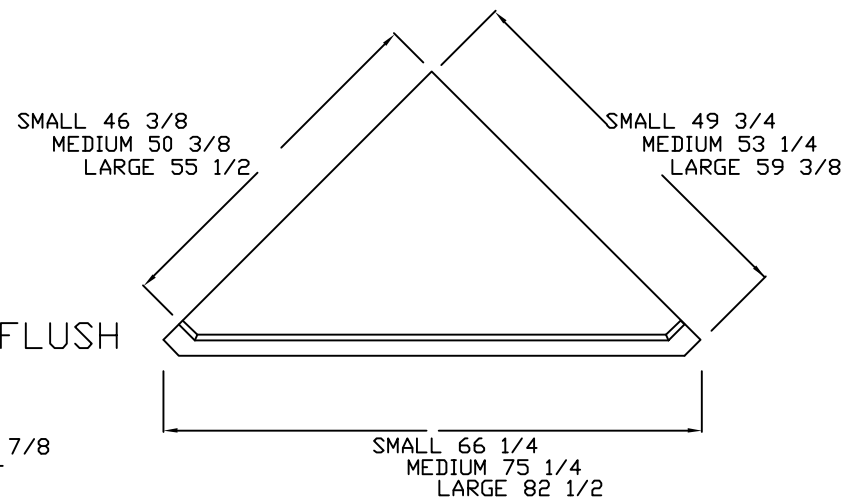
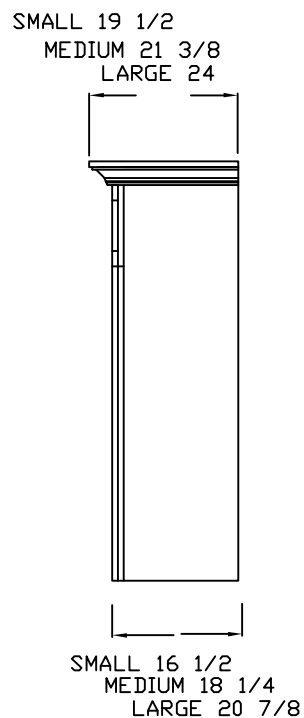


FRONT VIEW



FULL CABINET STND. FLUSH



FRONT / TOP CORNER



NOTE: ALL DRAWINGS REMAIN THE PROPERTY OF WOLF STEEL LTD. AND MAY NOT BE REPRODUCED AND OR DESTRIUTED FOR ANY PURPOSE WITHOUT EXPRESS WRITTEN CONSENT OF WOLF STEEL LTD.

ALL TOLERANCES +/- 1/8" UNLESS OTHERWISE NOTED. UNLESS OTHERWISE NOTED DRAWINGS MAY NOT BE TO SCALE. ALL EFFORTS HAVE BEEN MADE TO ENSURE ACCURACY. ANY CONCERNS WITH THIS DRAWING SHOULD BE BROUGHT TO THE ATTENTION OF THE MANTLE DEPARTMENT OF WOLF STEEL LTD. IMMEDIATELY.

PROJECT: DYNASTY MANTLE

DRAWING NAME: NEW DESIGN MANTLES

CLIENT APPROVAL _____

ISSUE # _____

DRAWN BY:	CHECKED BY:	DATE:	MATERIALS / FINISH	PAGE:
BOB K		11/04/15	MAPLE/MDF	