

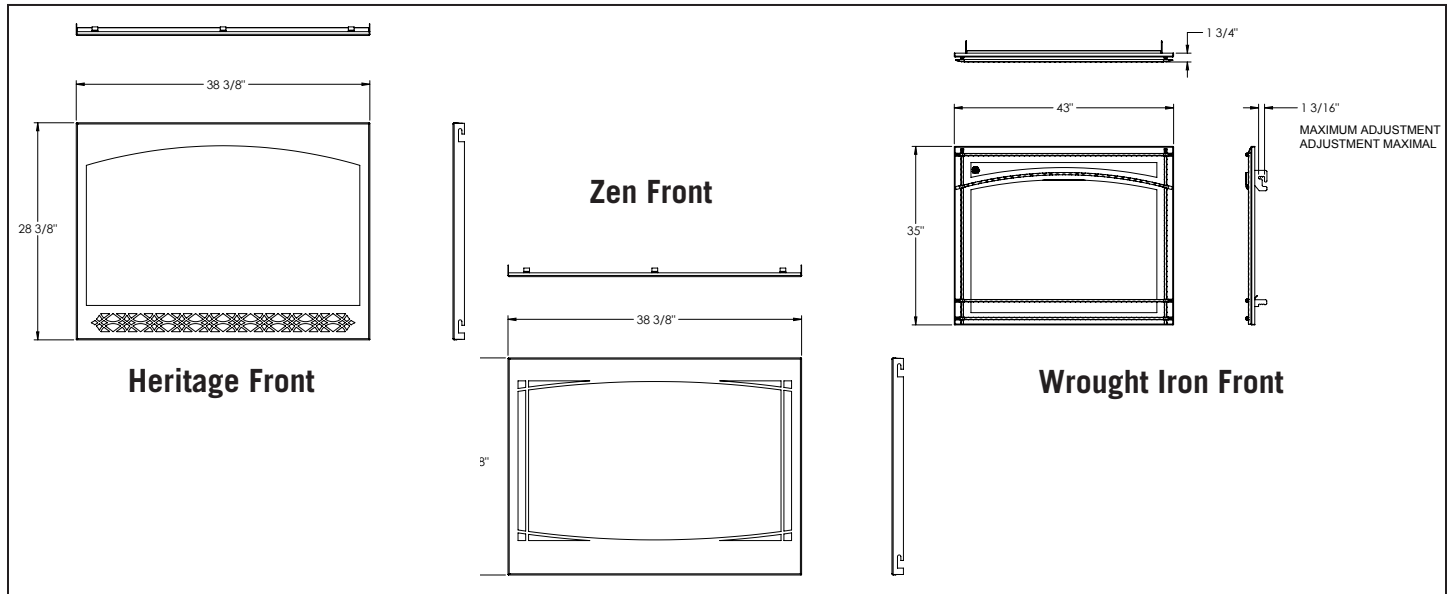
ASCENT™ 42 DIRECT VENT GAS FIREPLACE



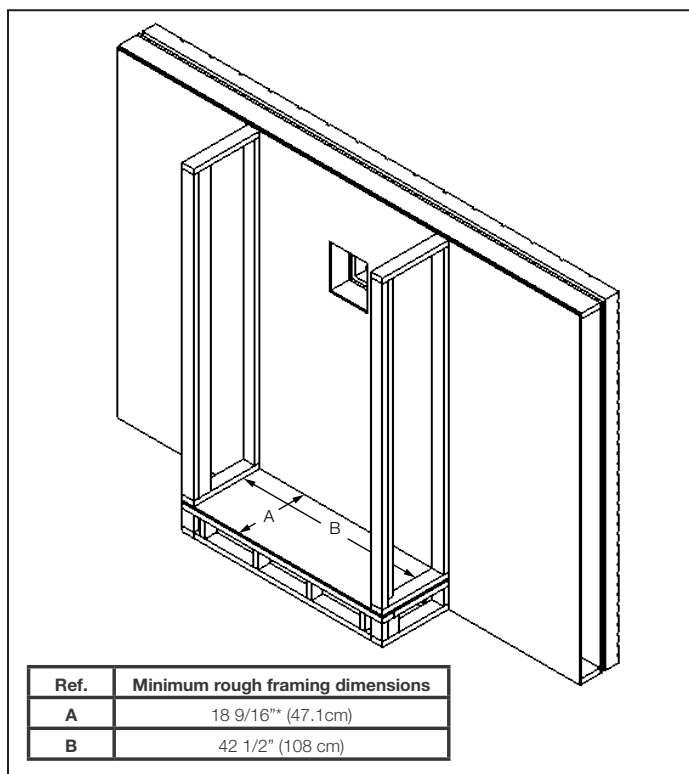
Specifications

Model	BTU	Width		Height		Depth		Viewing Area
		Actual	Framing	Actual	Framing	Actual	Framing	
B42	22,000	42	42 1/2	34 5/8	35	18 5/16	18 9/16	23 11/16 X 37 11/16

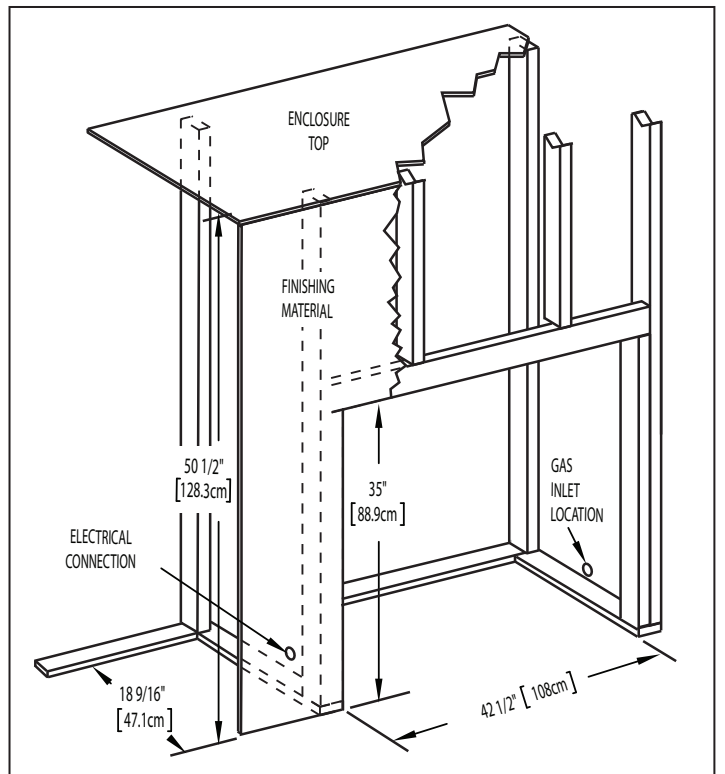
Front Options



Rough Framing



Finish Framing

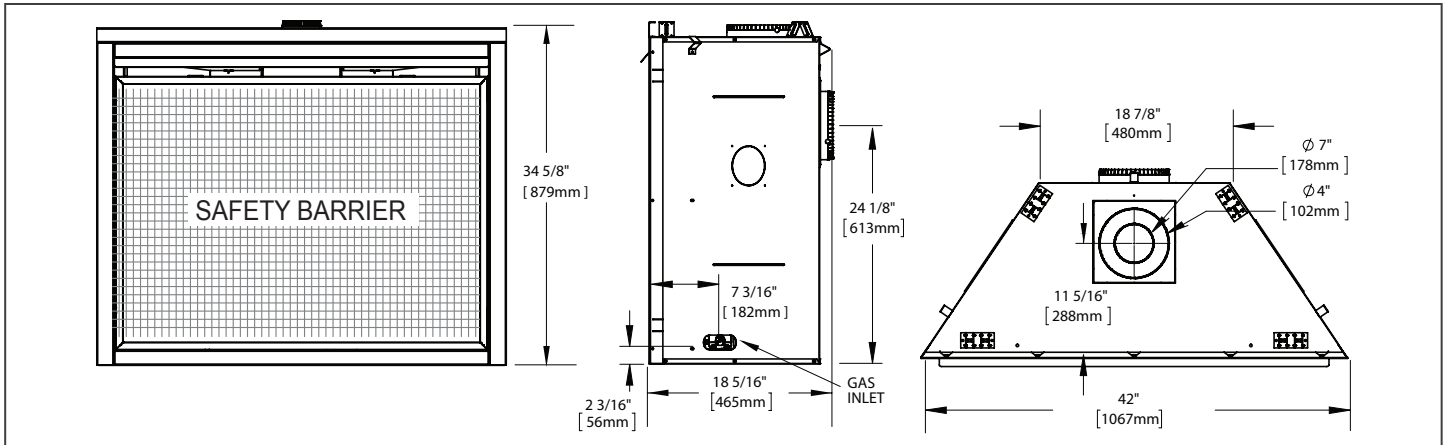


ASCENT™ 42 DIRECT VENT GAS FIREPLACE

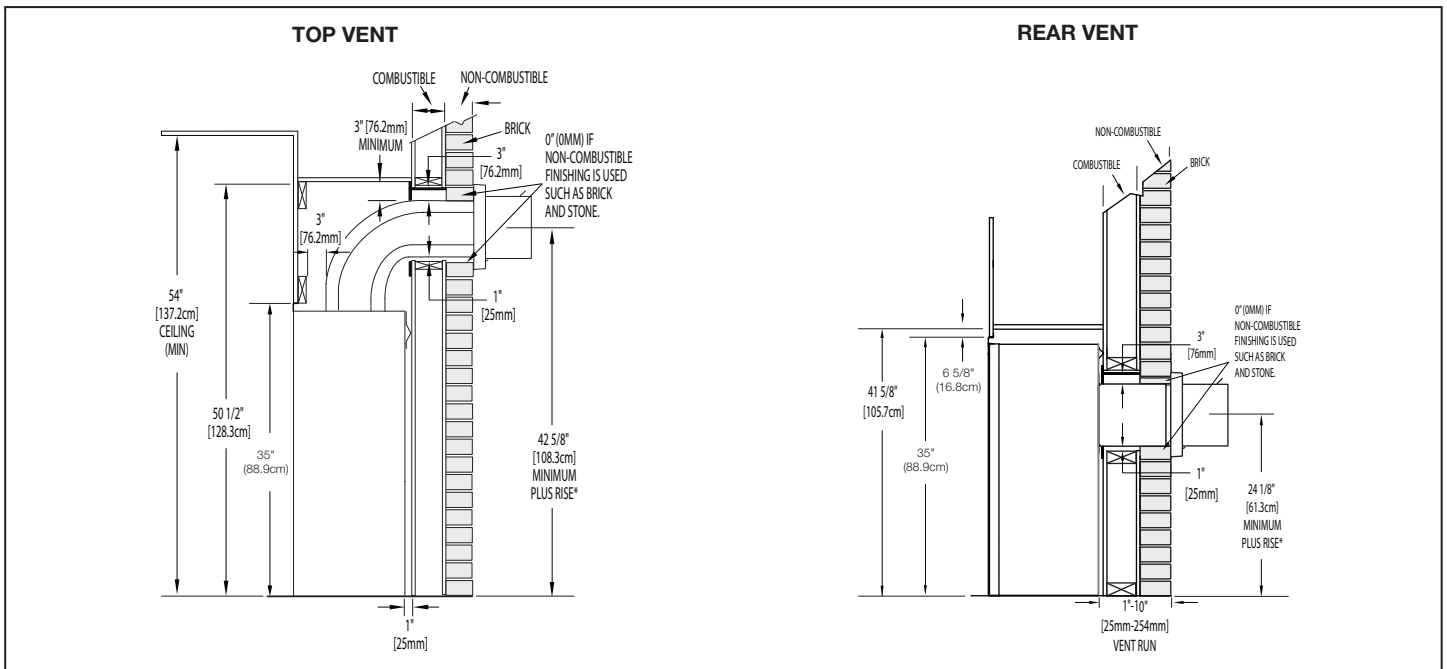


Product information provided is not complete and is subject to change without notice. Please consult the installation manual for the most up to date installation information.

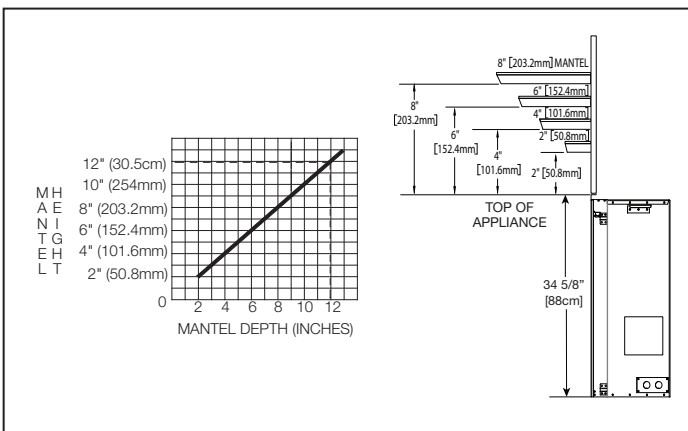
Dimensions



Wall Penetration



Combustible Mantel Clearances



Appliance Location

