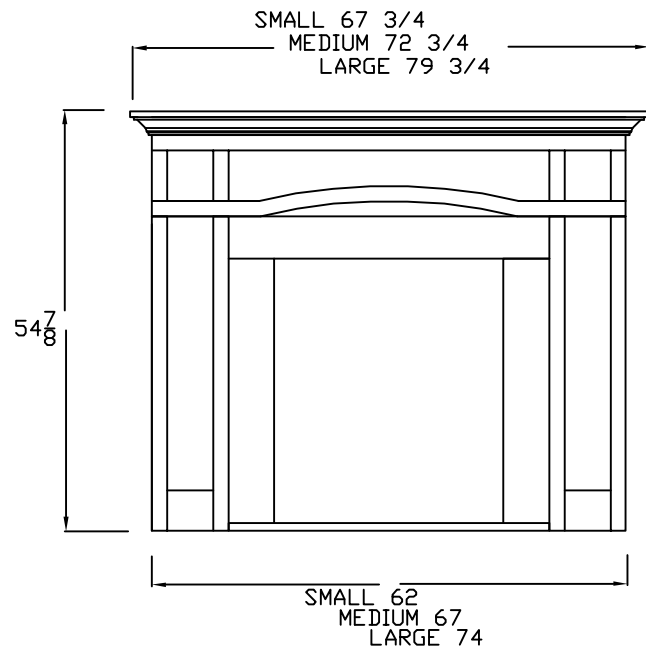
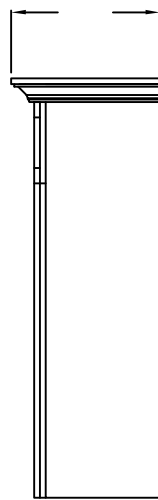


FRONT VIEW

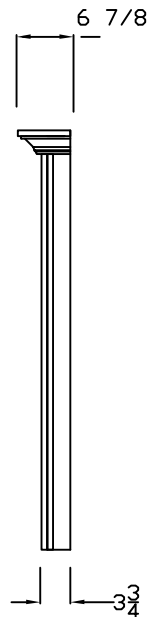


FULL CABINET STND. FLUSH

SMALL 19 1/2  
MEDIUM 21 3/8  
LARGE 24

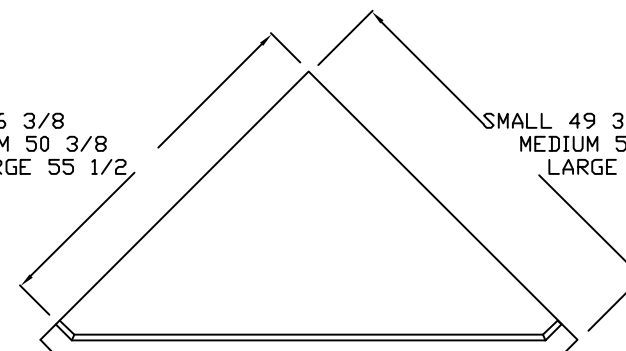


SMALL 16 1/2  
MEDIUM 18 1/4  
LARGE 20 7/8

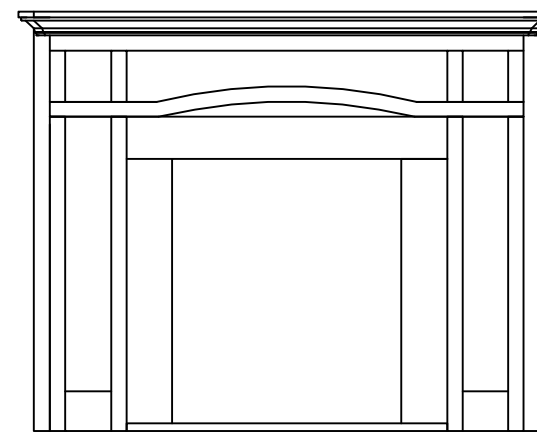


SMALL 46 3/8  
MEDIUM 50 3/8  
LARGE 55 1/2

SMALL 49 3/4  
MEDIUM 53 1/4  
LARGE 59 3/8



SMALL 66 1/4  
MEDIUM 75 1/4  
LARGE 82 1/2



FRONT / TOP CORNER



NOTE: ALL DRAWINGS REMAIN THE PROPERTY OF WOLF STEEL LTD. AND MAY NOT BE REPRODUCED AND OR DESTRIUTED FOR ANY PURPOSE WITHOUT EXPRESS WRITTEN CONSENT OF WOLF STEEL LTD.

ALL TOLERANCES +/- 1/8" UNLESS OTHERWISE NOTED. UNLESS OTHERWISE NOTED DRAWINGS MAY NOT BE TO SCALE. ALL EFFORTS HAVE BEEN MADE TO ENSURE ACCURACY. ANY CONCERNS WITH THIS DRAWING SHOULD BE BROUGHT TO THE ATTENTION OF THE MANTLE DEPARTMENT OF WOLF STEEL LTD. IMMEDIATELY.

PROJECT: DYNASTY MANTLE

DRAWING NAME: NEW DESIGN MANTLES

DRAWN BY: BOB K

CHECKED BY:

CLIENT APPROVAL \_\_\_\_\_

ISSUE #

DATE: 11/04/15

MATERIALS / FINISH: MAPLE/MDF

PAGE: