

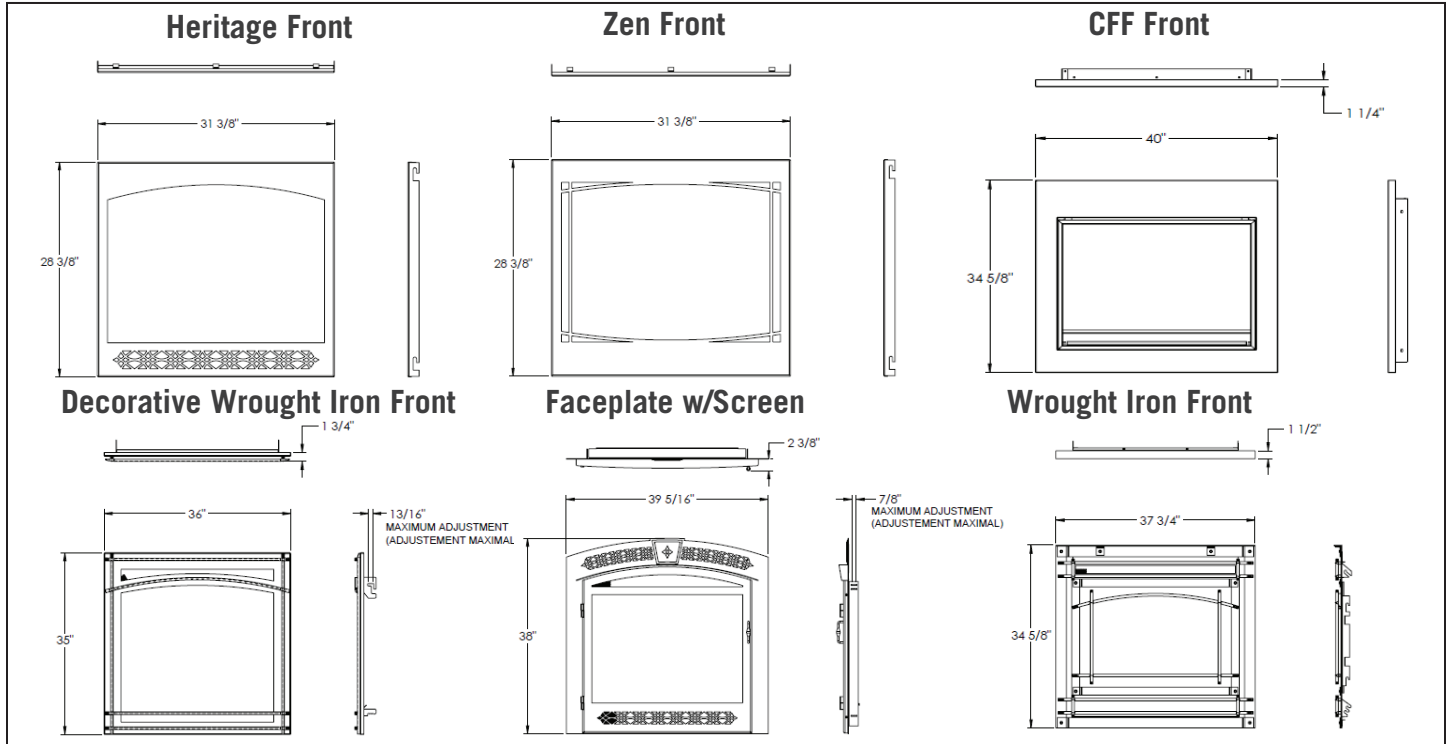
ASCENT™ X 70 DIRECT VENT GAS FIREPLACE



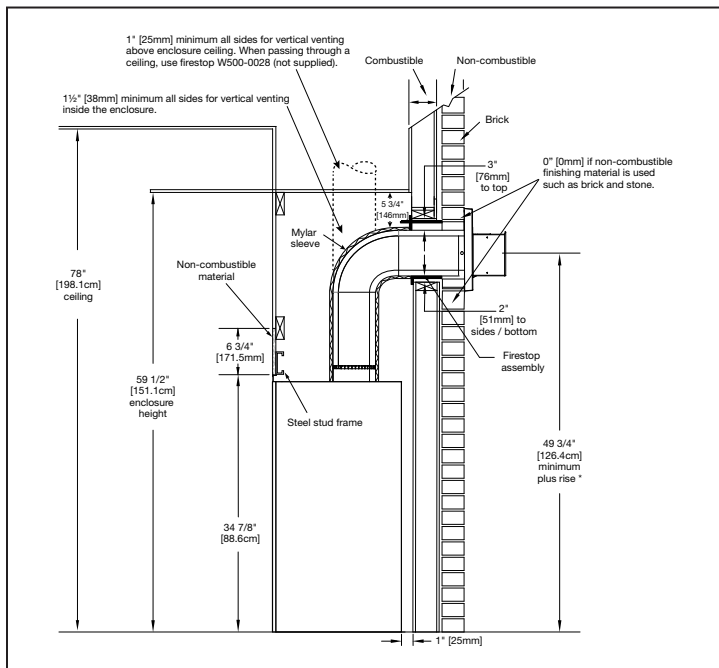
Specifications

Model	BTU	Width		Height		Depth		Viewing Area
		Actual	Framing	Actual	Framing	Actual	Framing	
GX70-1	35,000	35	35 1/2	34 5/8	34 7/8	18 1/2	19	23 11/16 x 30 11/16

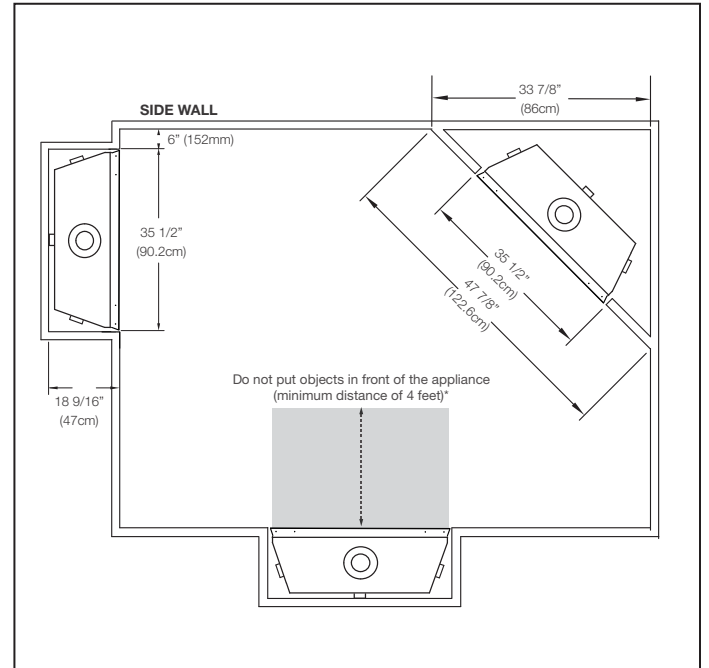
Front Options



Minimum Clearance to Combustible Enclosures



Appliance Location

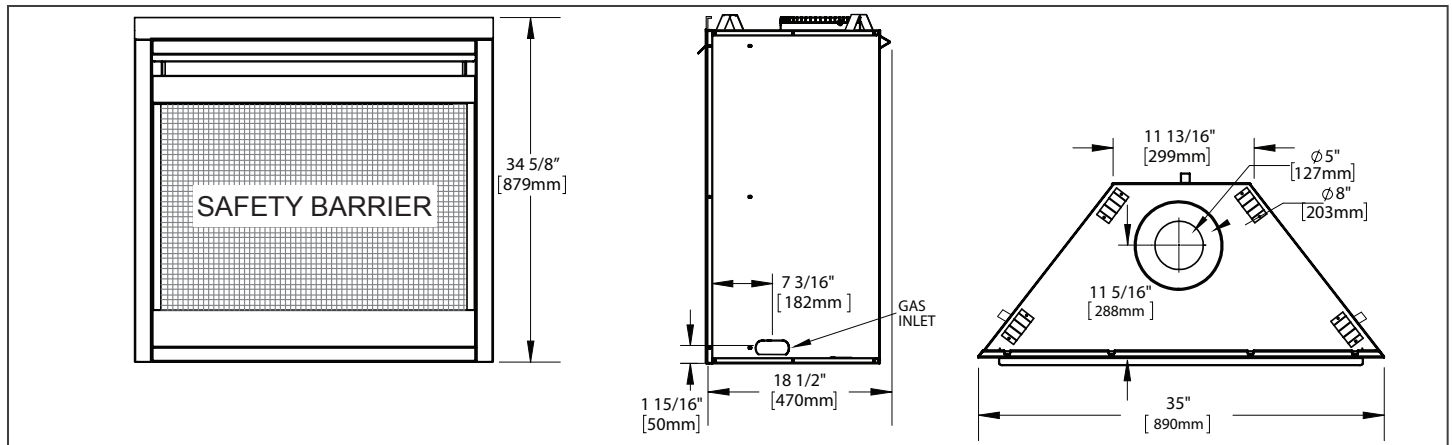


ASCENT™ X 70 DIRECT VENT GAS FIREPLACE

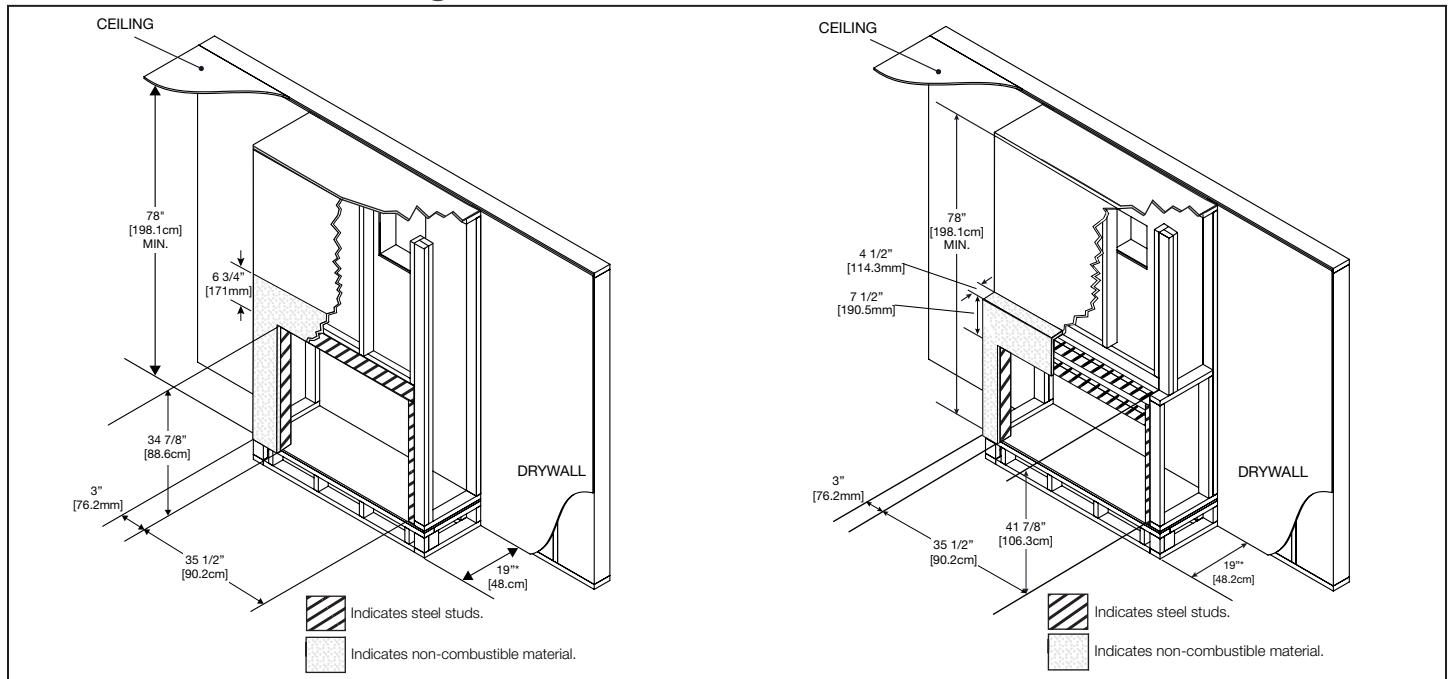


Product information provided is not complete and is subject to change without notice. Please consult the installation manual for the most up to date installation information.

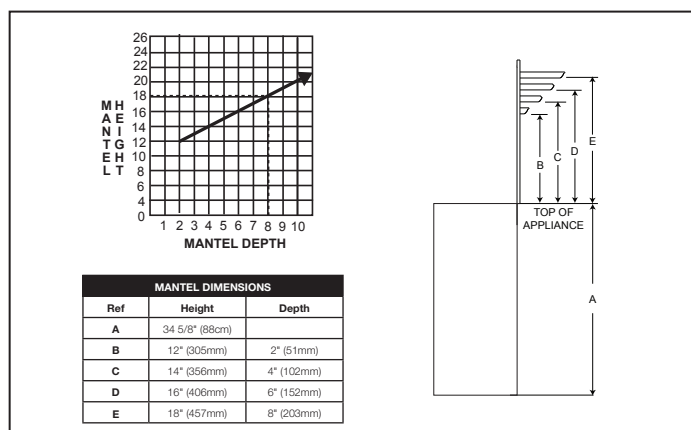
Dimensions



Flush & Recessed Finish Framing



Combustible Mantel Clearances



Rough Framing

