

# AZURE™ VERTICAL 38 ELECTRIC FIREPLACE

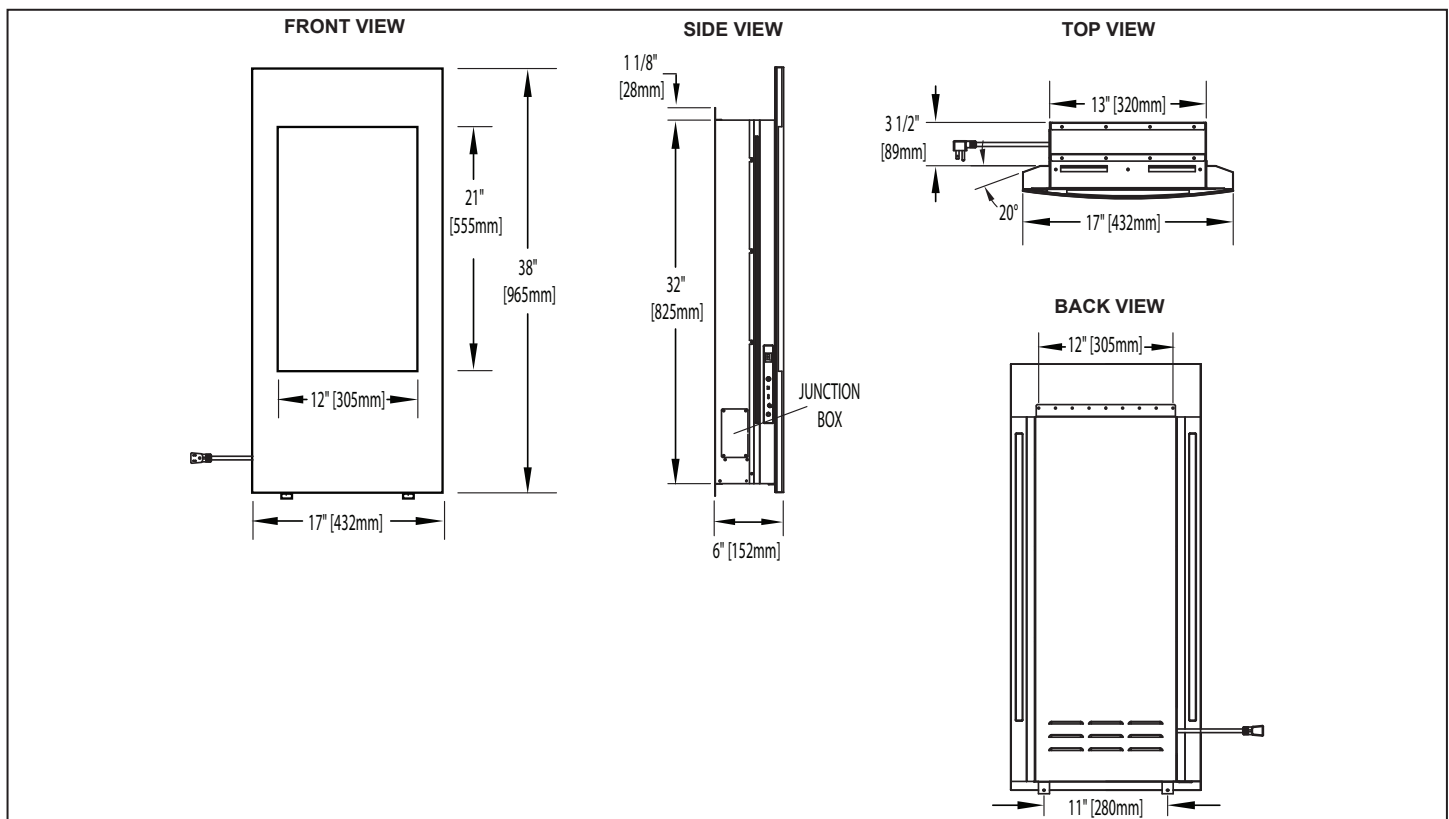
## Specifications

Model	BTU	Width		Height		Depth		Glass
		Actual	Framing	Actual	Framing	Actual	Framing	
NEFV38H	5,000	17	13 3/4	38	33	6	3	21 X 12

## Overview



## Dimensions



# AZURE™ VERTICAL 38 ELECTRIC FIREPLACE

## Framing & Clearances

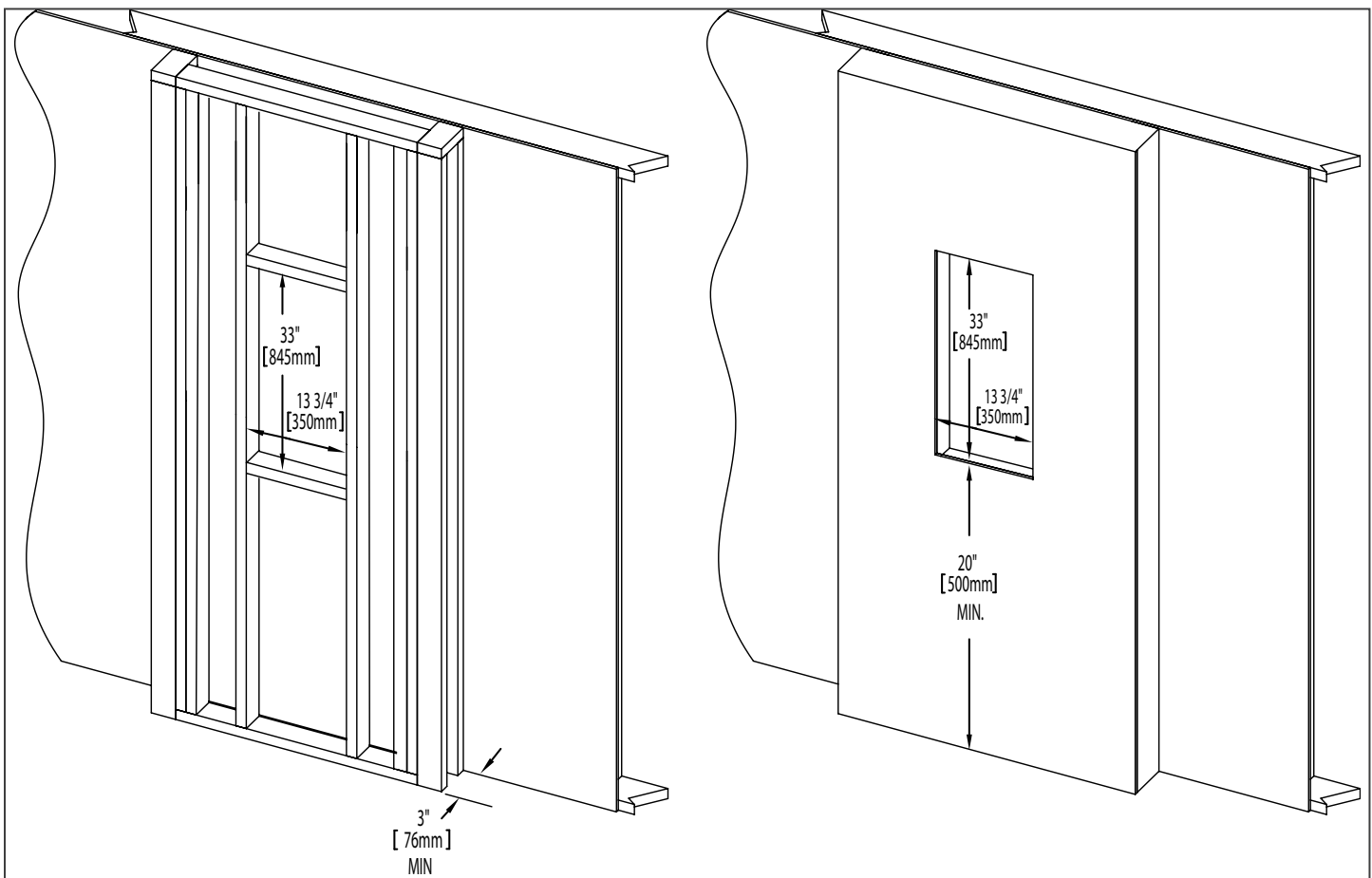
### Minimum Fireplace Clearances

Measurements are taken from the glass front.			
Bottom	20" (500mm)	Top	5" (127mm) to mantel
Sides	6" (152mm)	Top	5" (127mm) to ceiling
Back	0"		

**NOTE:** The control panel is located on the left hand side of the appliance. Always ensure that there is access to this control panel.

**NOTE:** Measured from the rear of the appliance, the first 2 1/2" (63mm) of the appliance body may be recessed into a combustible wall with 0" (0mm) clearance.

### Framing



Product information provided is not complete and is subject to change without notice. Please consult the installation manual for the most up to date installation information.