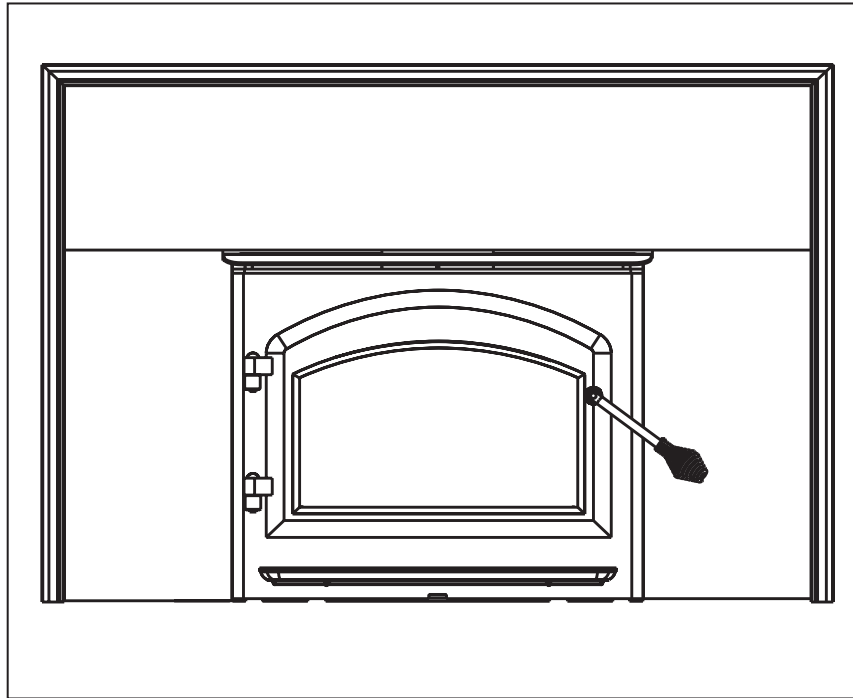


# OAKDALE™ 1101 WOOD BURNING INSERT

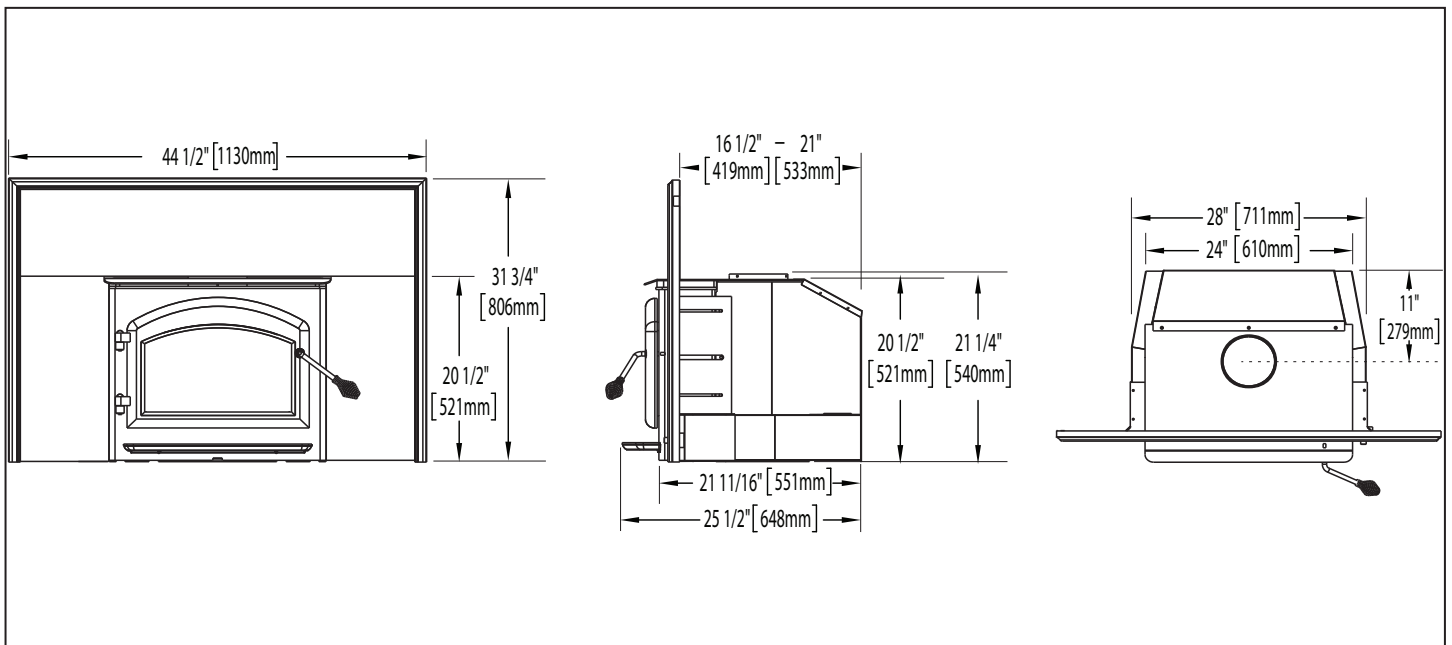
## Specifications

Model	BTU	Width		Height		Depth		Capacity	Glass
		Unit	Chamber	Unit	Chamber	Unit	Chamber		
EPI-1101	55,000	44 1/2"	18"	31 3/4"	12"	13 1/2"	18"	1.7 Cubic Feet	10 1/2" X 16 1/4"

## Overview



## Dimensions



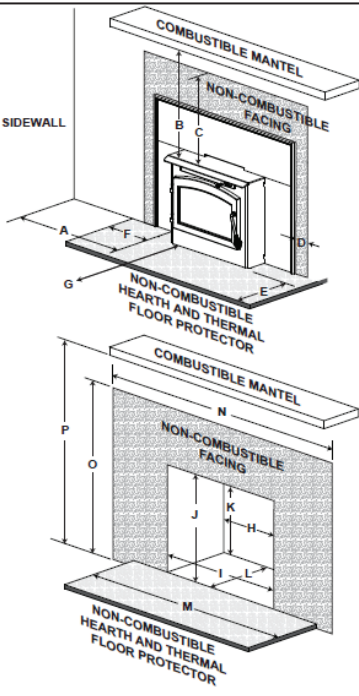
# OAKDALE™ 1101 WOOD BURNING INSERT

## Framing & Clearances

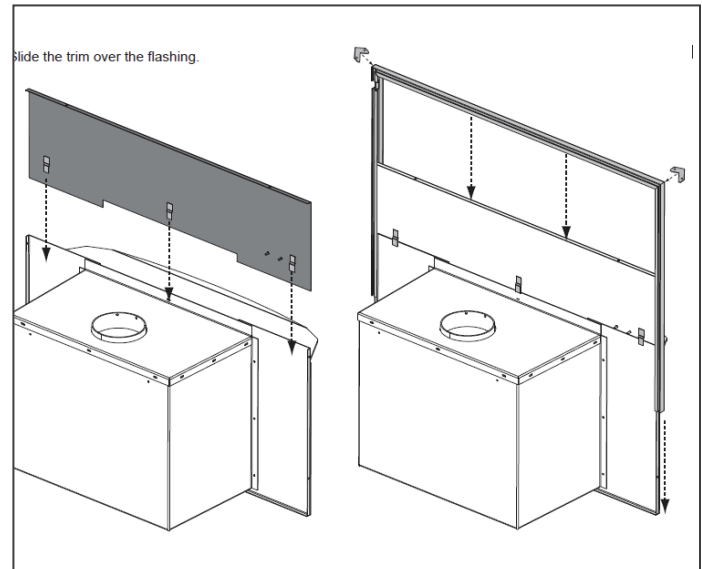
### Minimum Clearances to Combustibles

MINIMUM CLEARANCES			
	1101	1402	
A	Sidewall	17" (432mm)	17" (432mm)
B	Mantel	28" (711mm)	28" (711mm)
C	Top facing	28" (711mm)	28" (711mm)
D	Side facing	1" (25mm)	1" (25mm)
E	Hearth (front)	16" (406mm)	16" (406mm)
F	Hearth (side)	8" (203mm)	8" (203mm)
G	Objects in front of insert	48" (1219mm)	48" (1219mm)
MINIMUM FIREPLACE SIZE			
H	Width (rear)	24" (610mm)	24 1/2" (622mm)
I	Width (front)	28.5" (724mm)	26" (660mm)
J	Height (front)	22" (558mm)	22" (558mm)
K	Height (rear)	22" (558mm)	22" (558mm)
L	Depth	16 1/2" (419mm) to 21" (533mm)	14 1/2" (368mm)
M	Hearth width	39" (990mm)	39" (990mm)
N	Facing width	46 1/2" (1181mm)	46 1/2" (1181mm)
O	Facing height	48 1/2" (1232mm)	47 3/4" (1213mm)
P	Mantel	48 1/2" (1232mm)	47 3/4" (1213mm)

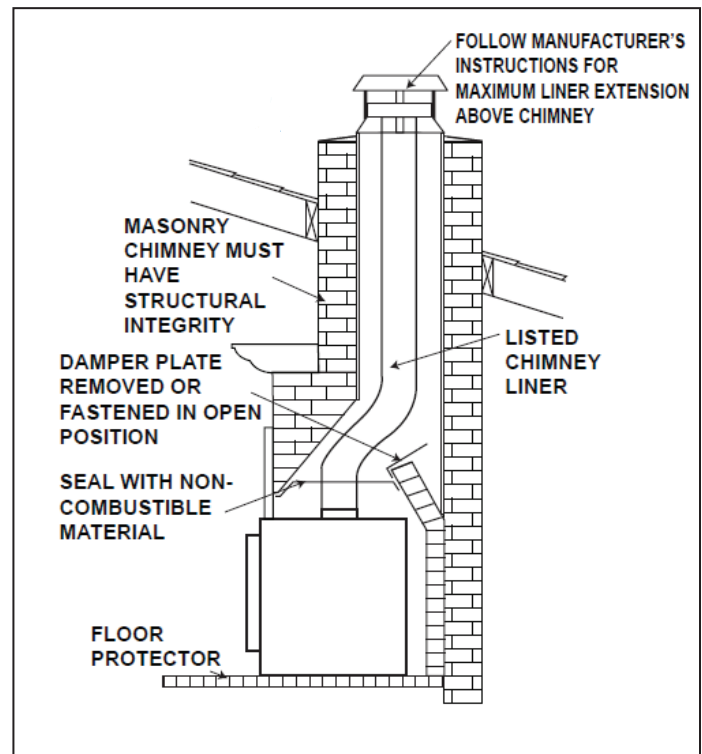
**HEARTH EXTENSION / FLOOR PROTECTION:**  
Must be non-combustible and extend in front of the insert and 8" (203mm) on both sides with a minimum thickness of 1/2" (13mm) and a thermal conductivity factor (K) 0.84.



### Flashing Installation



### Typical Existing Masonry



Product information provided is not complete and is subject to change without notice. Please consult the installation manual for the most up to date installation information.